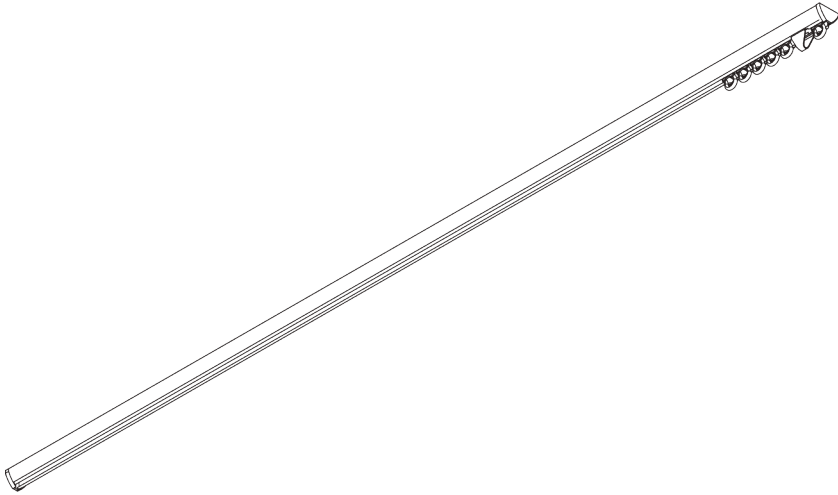


SG 1060



PRODUCT INFORMATION

- **Operation:** hand
- **Range:** S
- **Fitting:** ceiling
- **Colours:** white RAL 9016 or anodised aluminum, special colours possible
- **Fabrics:** refer to Silent Gliss fabric collection

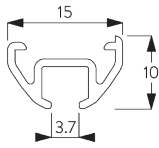
Features:

- Bendable

SYSTEM SPECIFICATIONS

A. PROFILE

Profile and bending information

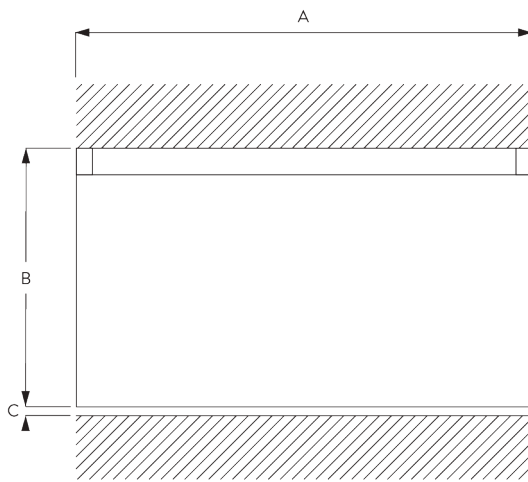


SG 1060p

Profile

Radius:
✓ 6 cm, 10 cm, 12 cm,
20 cm, >30 cm

B. HOW TO MEASURE



A: System width

B: System height

C: Distance between floor and fabric

C. SPECIFICATION

TEXT

EN

Silent Gliss SG 1060 Hand Drawn Curtain Track System. Comprises aluminium profile SG1060 supplied made to measure in silver anodised or white powder coated, alternatively a specified RAL colour. SG 3533 at 14/m and 2 end covers SG 3061/ end stops SG 3070 per length. Top fixed with brackets SG 3060 at max. 300 mm centres.

SV

Silent Gliss SG 1060 handdragssystem. Består av aluminiumprofil SG 1060 i specificerad längd i vitlack, alu natur eller angiven RAL färg. 14 st SG 3533 glid per meter, 2 st SG 3061 ändskydd samt 2 st SG 3070 vridstopp per system. Takmonteras med fäste SG 3060 c/c 300 mm.

NO

Silent Gliss SG 1060 manuell gardinskinne. Består av aluminiumprofil SG 1060 i spesifisert lengde, standard i hvitlakkert eller alu natur. Kan også leveres i spesifisert RAL farge. 14 stk SG 3533 glidere pr meter, 2 stk SG 3061 endeløkk samt 2 stk SG 3070 vridstopp pr system. Takmonteres med feste SG 3060 c/c 300 mm.

DA

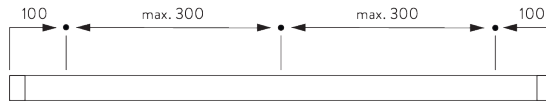
Silent Gliss SG 1060 håndtrukket gardinskinnesystem. Består af en aluminiumprofil SG1060 i ønsket længde, sølvanodiseret eller hvid pulverlakering, alternativt en specificeret RAL-farve. 14 stk. SG 3533 glidere pr. m og 2 stk. endelåg SG 3061 samt 2 stk. SG 3070 endestop pr. længde. Loftmonteres med beslagene SG 3060 med højst 300 mm afstand.

FITTING

A. FITTING INFORMATION

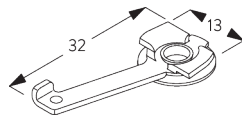
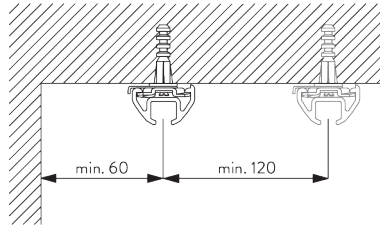
For detailed fitting information, visit the *Silent Gliss* website.

Fixing points



B. CEILING FITTING


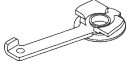
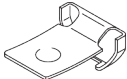

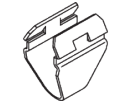


Clamp SG 3060




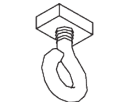
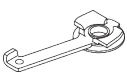





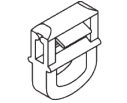



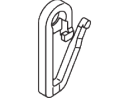
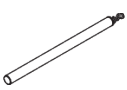
SG 3060
Clamp

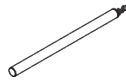

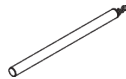
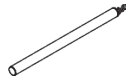
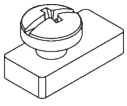
PARTS

A. STANDARD PARTS

| | |
|--|-------------------------------|
|  | SG 1060p Profile |
|  | SG 3060 Clamp |
|  | SG 3061 End cover |
|  | SG 3070 End stop |
|  | SG 3085 Spring stop |
|  | SG 3533 Glider |
|  | SG 3599 Hook |

B. OPTIONAL PARTS

| | |
|---|--|
|  | SG 3012 Hook |
|  | SG 3016 End stop |
|  | SG 3060 Clamp |
|  | SG 3062 Connection bridge |
|  | SG 3511 Glider |
|  | SG 3534 Glider 3533 on strip |
|  | SG 3535 Glider |
|  | SG 3537 Glider |
|  | SG 3548 Glider |
|  | SG 3549 Click glider with hook |
|  | SG 3570 Glider |
|  | SG 3582 Hook |
|  | SG 3598 Eyelet |
|  | SG 10430 Draw rod 50 cm |

| | |
|---|------------------------------------|
|  | SG 10431 Draw rod 75 cm |
|  | SG 10432 Draw rod 100 cm |
|  | SG 10433 Draw rod 125 cm |
|  | SG 10434 Draw rod 150 cm |
|  | SG 11335 End stop |