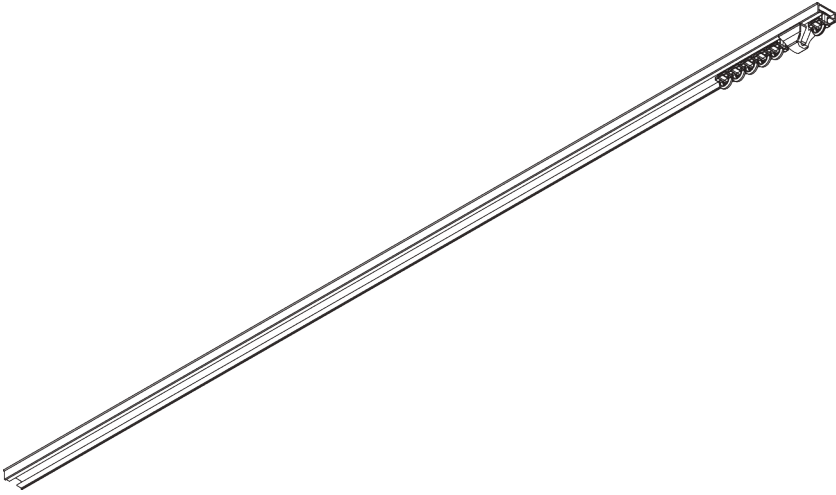


SG 6250



PRODUCT INFORMATION

- **Operation:** hand
- **Range:** S - M
- **Fitting:** recess
- **Colours:** white RAL 9016
- **Fabrics:** refer to Silent Gliss fabric collection

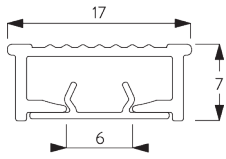
Features:

- 2-component (2C) glider technology
- Wave (2C)
- Bendable

SYSTEM SPECIFICATIONS

A. PROFILE

Profile and bending information

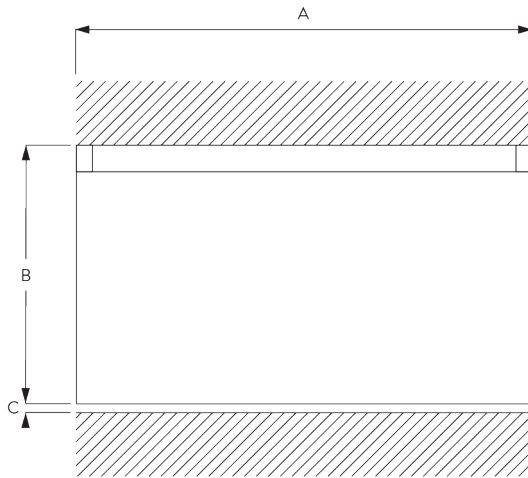


SG 11220

Profile with cover

Radius:
10 cm, 20 cm

B. HOW TO MEASURE



A: System width

B: System height

C: Distance between floor and fabric

C. SPECIFICATION TEXT

EN

Silent Gliss SG 6250 Hand Drawn Curtain Track System for recessed fitting. Comprises aluminium profile SG 11220 supplied made to measure in white powder coated, SG 11300 SILENT TRACK at 14/m and 2 Spring Stops SG 6245 per length. Top fix to ceiling with glue. Silent Gliss Wave option is available.

SV

Silent Gliss SG 6250 handdragssystem för infällning. Består av aluminiumprofil SG 11220 i specificerad längd i vitlack. 14 st SG 11300 SILENT TRACK glid per meter samt 2 st SG 6245 fjäder per system. Takmonteras med bygglim. Kan användas med system Wave.

NO

Silent Gliss SG 6250 Manuell gardinskinne for innfelling. Består av aluminiumprofil SG 11220 i spesifisert hvitlakkert lengde. 14 stk SG 11300 SILENT TRACK glide per meter, 2 stk SG 6245 fjær pr system. Takmonteres med bygglim. Kan brukes med Wave system.

DA

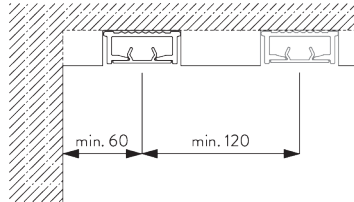
Silent Gliss SG 6250 håndtrukket gardinskinnesystem til indfældning. Består af aluminiumprofil SG 11220 i ønsket længde, hvid pulverlakering. 14 stk. SG 11300 SILENT TRACK pr. m og 2 stk. SG 6245 fjeder pr. længde. Fastgøres i loftet med lim. Kan bruges med Silent Gliss Wave.

FITTING

A. FITTING INFORMATION

For detailed fitting information, visit the Silent Gliss website, login section.

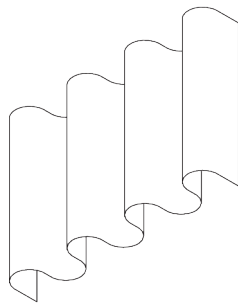
B. RECESS FITTING



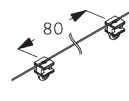
Adhesive assembly exclusively on raw concrete.

SYSTEM OPTIONS

A. WAVE



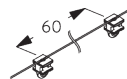
SG 11295



SG 11302

Standard components:

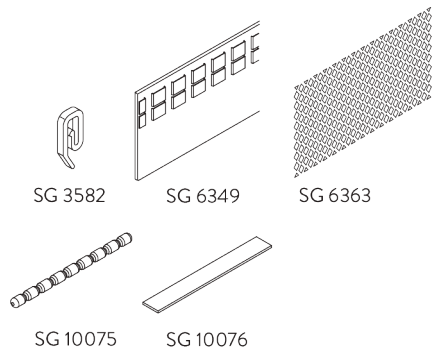
- SG 11295 End stop
- SG 11302 Wave 2C glider cord 80 mm



SG 11303

Optional components:

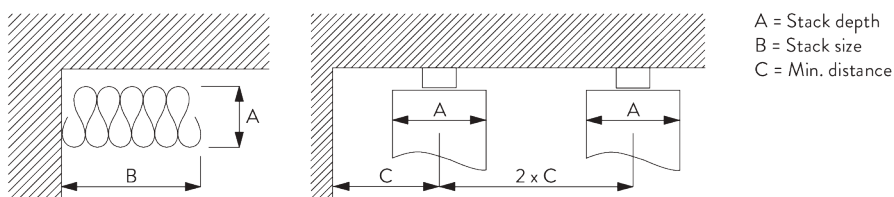
- SG 11303 Wave 2C glider cord 60 mm



Curtain components:

- SG 3582 Hook
- SG 6349 Wave curtain tape
- SG 6363 Wave top hemming tape
- SG 10075 Lead weight 50 gr/m
- SG 10076 Fabric weight

Wave stack depth - 2C glider cord (standard components)





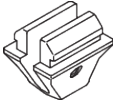
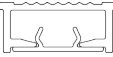

A = Stack depth
 B = Stack size
 C = Min. distance

2C Glider cord SG 11302	Pockets between hooks	Approx. curtain fullness	Stack depth A	Stack size B*	Min distance C
80	6	~2.1	140	180 per metre of track	90
80	7	~2.3	160	180 per metre of track	100




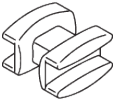



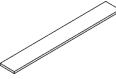
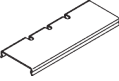


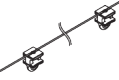
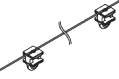

2C Glider cord SG 11303	Pockets between hooks	Approx. curtain fullness	Stack depth A	Stack size B*	Min distance C
60	4	~2.1	100	230 per metre of track	70
60	5	~2.3	120	230 per metre of track	80

PARTS

A. STANDARD PARTS

	SG 3599 Hook
	SG 6065 End stop
	SG 6245 Spring stop
	SG 11220 Profile with cover
	SG 11300 2C glider

B. OPTIONAL PARTS

	SG 3012 Hook
	SG 3582 Hook
	SG 6057 Glider
	SG 6082 Glider
	SG 6349 Wave curtain tape
	SG 6363 Wave top hemming tape
	SG 10075 Lead weight 50 g/m
	SG 10076 Fabric weight
	SG 11222 Connector
	SG 11295 End stop
	SG 11301 2C glider on strip
	SG 11302 Wave 2C glider cord 80 mm
	SG 11303 Wave 2C glider cord 60 mm
	SG 11305 2C glider for direct sewing

