

# SG 6475

---



## PRODUCT INFORMATION

- **Operation:** hand
- **Range:** S - M
- **Fitting:** ceiling
- **Colours:** white RAL 9016 or anodised aluminum, special colours possible
- **Fabrics:** refer to Silent Gliss fabric collection

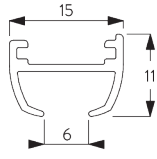
### **Features:**

- 2-component (2C) glider technology
- Wave (2C)
- Bendable

# SYSTEM SPECIFICATION

## A. PROFILE

Profile and bending information

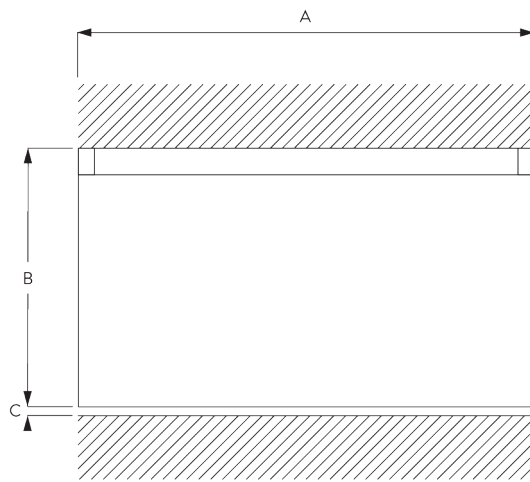


**SG 6475p**

Profile

Radius:  
8 cm, 12 cm, 16 cm,  
>25 cm

## B. HOW TO MEASURE



A: System width  
B: System height  
C: Distance between floor and fabric

## C. SPECIFICATION

TEXT

### EN

Silent Gliss SG 6475 Hand Drawn Curtain Track System. Comprises aluminium profile SG 6475 supplied made to measure in silver anodised or white powder coated, alternatively a specified RAL colour. SG 1130 at 14/m, 2 end covers SG 6476 and 2 SG 6065 stops. Top fixed with brackets SG 3060 at max. 300 mm centres. Silent Gliss Wave option is available.

### SV

Silent Gliss SG 6475 handdragssystem. Består av aluminiumprofil SG 6475 i specificerad längd i vitlack, alu natur eller angiven RAL färg. 14 st SG 11300 SILENT TRACK glid per meter, 2 st SG 6476 ändskydd samt 2 st SG 6065 vridstopp per system. Takmonteras med fäste SG 3060 c/c 300 mm. Kan användas med system Wave.

### NO

Silent Gliss SG 6475 Manuell gardinskinne. Består av aluminiumprofil SG 6475 i spesifisert lengde, standard i hvitlakkert eller alu natur. Kan også leveres i spesifisert RAL farge. 14 stk SG 11300 SILENT TRACK glidere pr meter, 2 stk 6476 endeløkk og 2 stk SG 6065 vristopp pr system. Takmonteres med feste SG 3060 c/c 300 mm. Kan kombineres med Wave system.

### DA

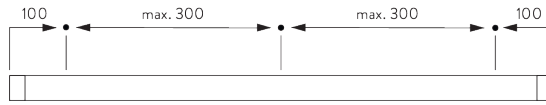
Silent Gliss SG 6475 håndtrukket gardinskinnesystem. Består af en aluminiumprofil SG 6475 i ønsket længde, sølvanodiseret eller hvid pulverlakering, alternativt en specificeret RAL-farve. 14 stk. SG 11300 glidere pr. m og 2 stk. SG 6476 endelåg samt 2 stk. SG 6065 endestop. Loftmonteres med beslagene SG 3060 med højst 300 mm afstand. Kan bruges med Silent Gliss Wave.

# FITTING

## A. FITTING INFORMATION

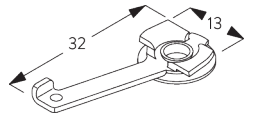
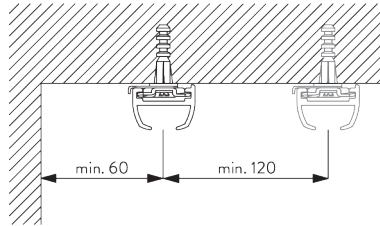
For detailed fitting information, visit the Silent Gliss website.

### Fixing points



## B. CEILING FITTING

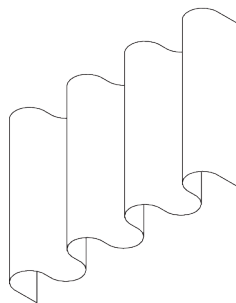
### Clamp SG 3060



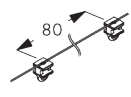
SG 3060  
Clamp

# SYSTEM OPTIONS

## A. WAVE



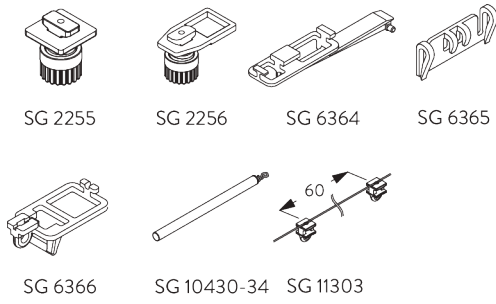
SG 11295



SG 11302

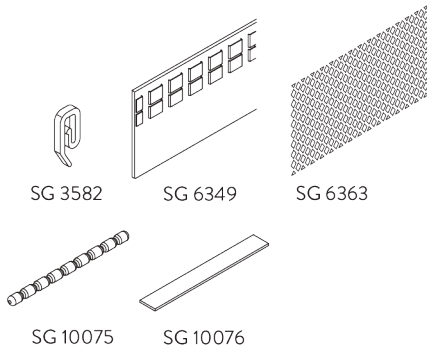
Standard components:

- SG 11295 End stop
- SG 11302 Wave 2C glider cord 80 mm



Optional components (min. radius >25 cm):

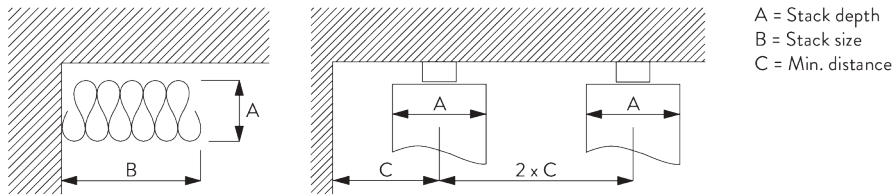
- SG 2255 Brake
- SG 2256 Brake
- SG 6364 Wave extension
- SG 6365 Wave hanger
- SG 6366 Wave carrier for draw rod
- SG 10430-34 Draw rod
- SG 11303 Wave 2C glider cord 60 mm



Curtain components:

- SG 3582 Hook
- SG 6349 Wave curtain tape
- SG 6363 Wave top hemming tape
- SG 10075 Lead weight 50 gr/m
- SG 10076 Fabric weight

Wave stack depth - 2C glider cord (standard components)



A = Stack depth  
B = Stack size  
C = Min. distance

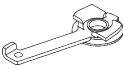


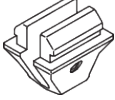
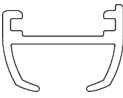

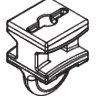
| 2C Glider cord<br>SG 11302 | Pockets between<br>hooks | Approx. curtain<br>fullness | Stack depth<br>A | Stack size<br>B*          | Min distance<br>C |
|----------------------------|--------------------------|-----------------------------|------------------|---------------------------|-------------------|
| 80                         | 6                        | ~2.1                        | 140              | 180 per metre<br>of track | 90                |
| 80                         | 7                        | ~2.3                        | 160              | 180 per metre<br>of track | 100               |

| 2C Glider cord<br>SG 11303 | Pockets between<br>hooks | Approx. curtain<br>fullness | Stack depth<br>A | Stack size<br>B*          | Min distance<br>C |
|----------------------------|--------------------------|-----------------------------|------------------|---------------------------|-------------------|
| 60                         | 4                        | ~2.1                        | 100              | 230 per metre<br>of track | 70                |
| 60                         | 5                        | ~2.3                        | 120              | 230 per metre<br>of track | 80                |

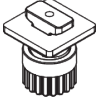
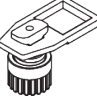




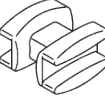

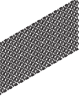
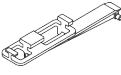
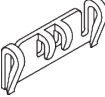
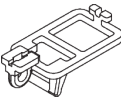

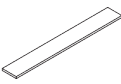
\*Stack size B when using optional extension arm increases by 150 mm per curtain!


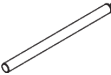
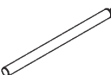


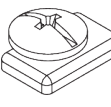

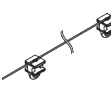
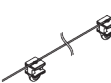

# PARTS

## A. STANDARD PARTS

|   |                               |
|---|-------------------------------|
|    | <b>SG 3060</b><br>Clamp       |
|    | <b>SG 3599</b><br>Hook        |
|    | <b>SG 6065</b><br>End stop    |
|    | <b>SG 6245</b><br>Spring stop |
|    | <b>SG 6475p</b><br>Profile    |
|   | <b>SG 6476</b><br>End cover   |
|  | <b>SG 11300</b><br>2C glider  |

## B. OPTIONAL PARTS

|   |   |
|---|---|
|    | <b>SG 2255</b><br>Brake                     |
|    | <b>SG 2256</b><br>Brake                     |
|    | <b>SG 3012</b><br>Hook                      |
|    | <b>SG 3062</b><br>Connection bridge         |
|    | <b>SG 3582</b><br>Hook                      |
|   | <b>SG 6057</b><br>Glider                    |
|  | <b>SG 6082</b><br>Glider                    |
|  | <b>SG 6349</b><br>Wave curtain tape         |
|  | <b>SG 6363</b><br>Wave top hemming tape     |
|  | <b>SG 6364</b><br>Wave extension            |
|  | <b>SG 6365</b><br>Wave hanger               |
|  | <b>SG 6366</b><br>Wave carrier for draw rod |
|  | <b>SG 10075</b><br>Lead weight 50 g/m       |
|  | <b>SG 10076</b><br>Fabric weight            |

|   |  |
|---|--|
|    | <b>SG 10430</b><br>Draw rod 50 cm              |
|    | <b>SG 10431</b><br>Draw rod 75 cm              |
|    | <b>SG 10432</b><br>Draw rod 100 cm             |
|    | <b>SG 10433</b><br>Draw rod 125 cm             |
|    | <b>SG 10434</b><br>Draw rod 150 cm             |
|   | <b>SG 11295</b><br>End stop                    |
|  | <b>SG 11301</b><br>2C glider on strip          |
|  | <b>SG 11302</b><br>Wave 2C glider cord 80 mm   |
|  | <b>SG 11303</b><br>Wave 2C glider cord 60 mm   |
|  | <b>SG 11305</b><br>2C glider for direct sewing |





