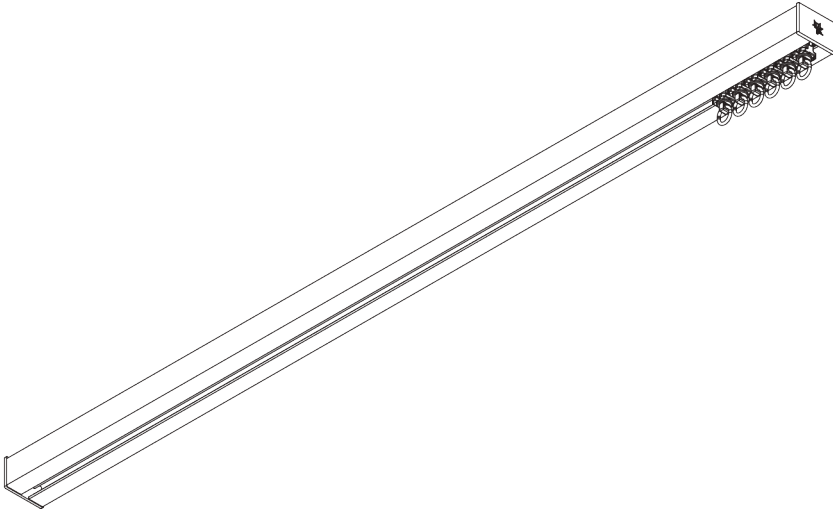


SG 6970



PRODUCT INFORMATION

- **Operation:** hand
- **Range:** M - L
- **Fitting:** ceiling, wall, recess
- **Colours:** white RAL 9016, black RAL 9005 or anodised aluminum, special colours possible (recess profile only in white RAL 9016, black RAL 9005 or special color)
- **Fabrics:** refer to Silent Gliss fabric collection

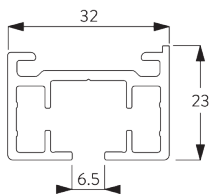
Features:

- 2-component (2C) roller technology
- Wave (2C)
- Bendable
- Bendable recess profile

SYSTEM SPECIFICATIONS

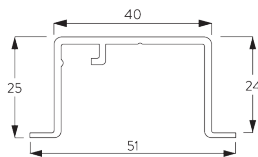
A. PROFILE

Profile and bending information



SG 10850

Profile

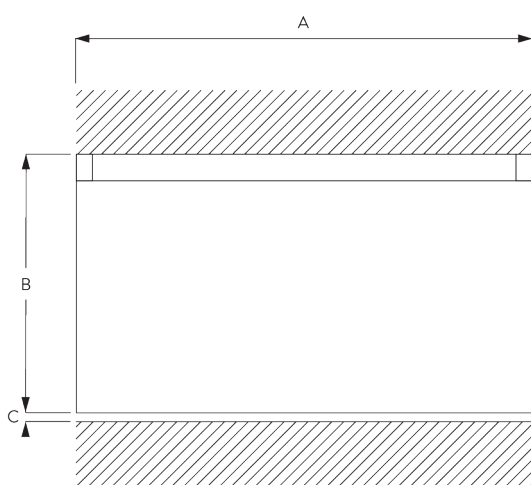


SG 10862

Recess profile



B. HOW TO MEASURE



- A: System width
- B: System height
- C: Distance between floor and fabric

C. SPECIFICATION TEXT

EN

Silent Gliss SG 6970 Hand Drawn Curtain Track System. Comprises aluminium profile SG 10850 supplied made to measure in silver anodised or white powder coated, alternatively a specified RAL colour. SG 10840 at 10/m, 2 end covers SG 11235. Top fixed with brackets SG 3004/3041 max. 500 mm centres. Wall fix SG Smart Fix at max. 500 mm centres. Optional recess profile SG 10862. Silent Gliss Wave option is available.

SV

Silent Gliss SG 6970 handdragssystem. Består av aluminiumprofil SG 10850 i specificerad längd i vitlack, alu natur eller angiven RAL färg. 10 st SG 10840 glid per meter, 2 st SG 11235 ändskydd per system. Takmonteras med fäste SG 3004/3041 c/c 500 mm. Vägmontering med SG Smart Fix c/c 500 mm. Kan levereras med infällningsprofil SG 10862. Kan användas med system Wave.

NO

Silent Gliss SG 6970 Manuell gardinskinne. Består av aluminiumprofil SG 10850 i spesifisert lengde, standard i hvitlakkert eller alu natur. Kan også leveres i spesifisert RAL farge. 10 stk SG 10840 glidere pr meter, 2 stk 11235 endeløkk pr system. Takmonteres med feste SG 3004/3041 c/c 500 mm. Veggmontering med SG Smartfix c/c 500 mm. Kan leveres med profil for innfelling SG 10862. Kan kombineres med Wave system.

DA

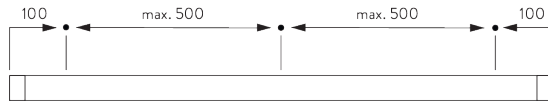
Silent Gliss SG 6970 håndtrukket gardinskinnesystem. Består af en aluminiumprofil SG 10850 i ønsket længde, sølvanodiseret eller hvid pulverlakering, alternativt en specificeret RAL-farve. 10 stk. SG 10840 pr. m og 2 stk. SG 11235 endelåg. Loftmonteres med beslagene SG 3004/3041 højst 500 mm afstand. Vægmonteres med SG Smart Fix med en afstand på højst 500 mm. Kan leveres med indfældningsprofil SG 10862. Kan bruges med Silent Gliss Wave.

FITTING

A. FITTING INFORMATION

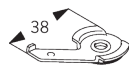
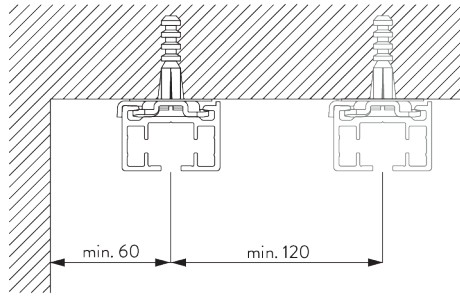
For detailed fitting information, visit the Silent Gliss website.

Fixing points



B. CEILING FITTING

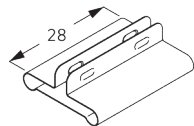
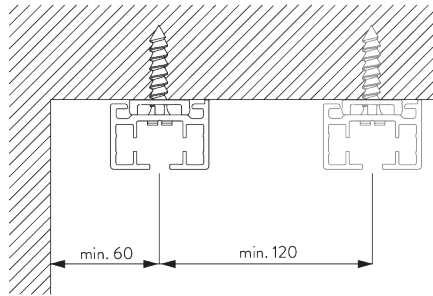
Clamp SG 3004



SG 3004

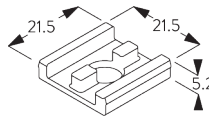
Clamp

Direct fitting



SG 7002

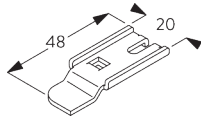
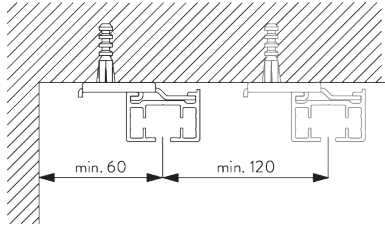
Profile protector



SG 10865

Support plate

Bracket SG 3041

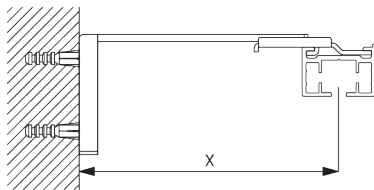


SG 3041

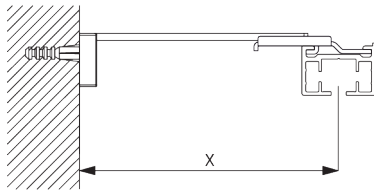
Bracket

C. WALL FITTING

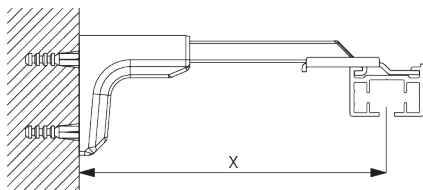
Smart Fix



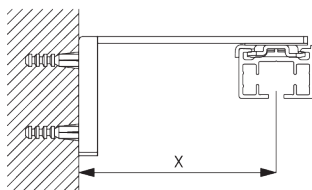
Smart Fix SG 11200 - SG 11205 and bracket SG 3041:
Screw SG 10492 (M4x8) needed.



Square Smart Fix SG 11210 - SG 11215 and bracket SG 3041:
Screw SG 10492 (M4x8) needed.

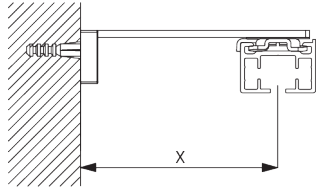


Universal Smart Fix SG 11154 - SG 11156 and bracket SG 3041:
Screw SG 10407 (M4x10) needed.



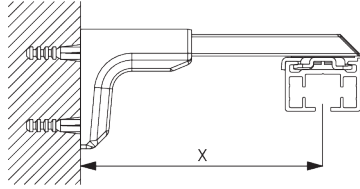
Smart Fix SG 11201 - SG 11205 and clamp SG 3004:
Screw SG 10074 (M4x8) needed.

Smart Fix	X mm (SG 3041)	X mm (SG 3004)
SG 11200 / SG 11210	83	
SG 11201 / SG 11211	103	72
SG 11202 / SG 11212	123	92
SG 11203 / SG 11213	143	112
SG 11204 / SG 11214	173	142
SG 11205 / SG 11215	223	192
SG 11154	128-156	102-130
SG 11155	158-186	132-160
SG 11156	208-236	182-210



**Square Smart Fix SG 11211 - SG 11215 and clamp
SG 3004:**

Screw SG 10074 (M4x8) needed.

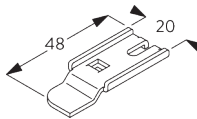


**Universal Smart Fix SG 11154 - SG 11156 and clamp
SG 3004:**

Screw SG 11158 (M4x12) needed.



SG 3004
Clamp



SG 3041
Bracket



SG 10074
Countersunk head screw
M4x8



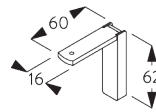
SG 10407
Pan head screw M4x10



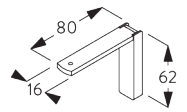
SG 10492
Pan head screw M4x8



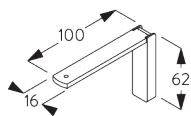
SG 11158
Countersunk head screw
M4x12



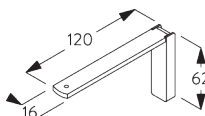
SG 11200
Smart Fix 60 mm



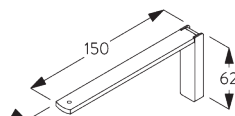
SG 11201
Smart Fix 80 mm



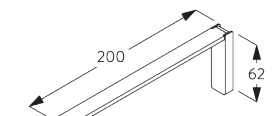
SG 11202
Smart Fix 100 mm



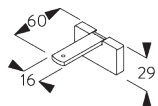
SG 11203
Smart Fix 120 mm



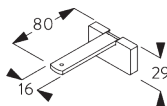
SG 11204
Smart Fix 150 mm



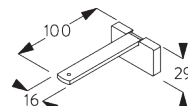
SG 11205
Smart Fix 200 mm



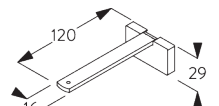
SG 11210
Square Smart Fix 60 mm



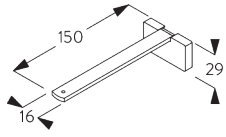
SG 11211
Square Smart Fix 80 mm



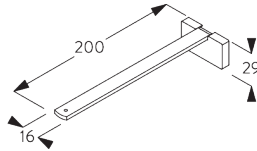
SG 11212
Square Smart Fix 100 mm



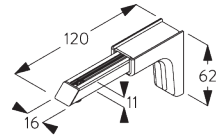
SG 11213
Square Smart Fix 120 mm



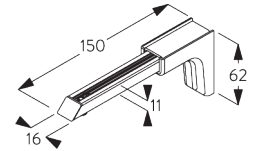
SG 11214
Square Smart Fix 150 mm



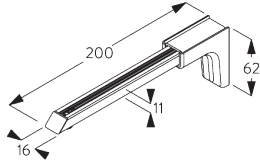
SG 11215
Square Smart Fix 200 mm



SG 11154
Universal Smart Fix 120 mm



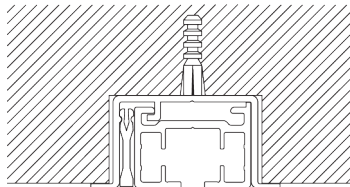
SG 11155
Universal Smart Fix 150 mm



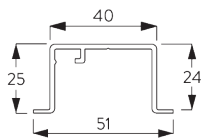
SG 11156
Universal Smart Fix 200 mm

D. RECESS FITTING

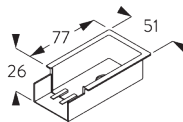
Recess profile SG 10862



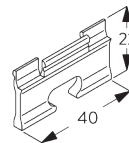
One wedge SG 5118 per fixing point.
For detailed recess fitting, visit the Silent Gliss website.



SG 10862
Recess profile



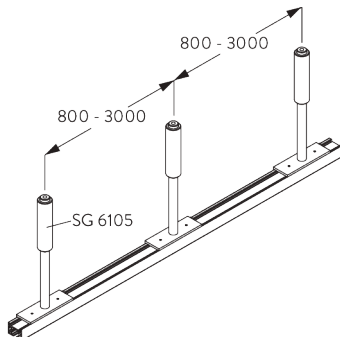
SG 10864
Recess mask

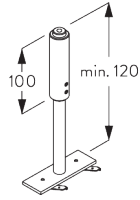


SG 5118
Wedge

E. SUSPENDED FITTING

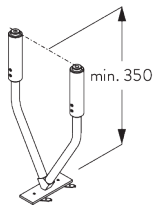
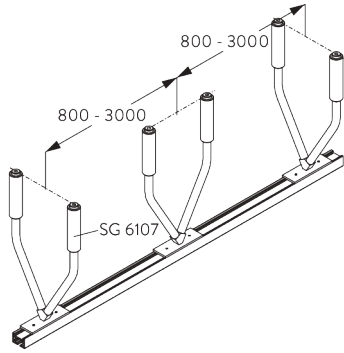
Hanger SG 6105





SG 6105
Hanger with plate

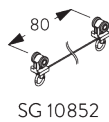
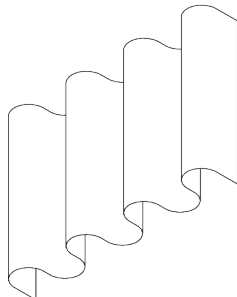
V-hanger SG 6107



SG 6107
V-Hanger with plate

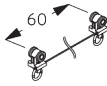
SYSTEM OPTIONS

A. WAVE



Standard components:

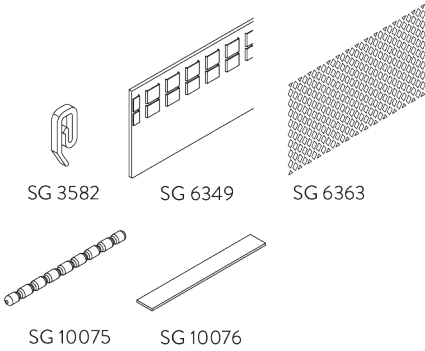
- SG 11295 End stop
- SG 10852 Wave 2C roller cord 80 mm



SG 10869

Optional components:

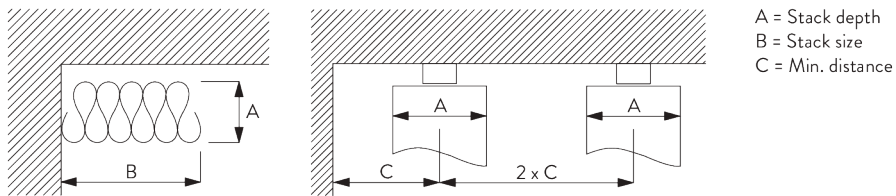
- SG 10869 Wave 2C roller cord 60 mm



Curtain components:

- SG 3582 Hook
- SG 6349 Wave curtain tape
- SG 6363 Wave top hemming tape
- SG 10075 Lead weight 50 gr/m
- SG 10076 Fabric weight

Wave stack depth - 2C roller cord (standard components)




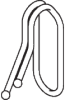

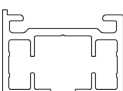
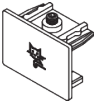
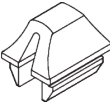
A = Stack depth
B = Stack size
C = Min. distance

2C Roller cord SG 10852	Pockets between hooks	Approx. curtain fullness	Stack depth A	Stack size B	Min distance C
80	6	~2.1	140	210 per metre of track	90
80	7	~2.3	160	210 per metre of track	100


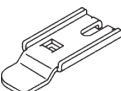

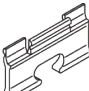
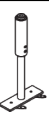


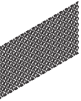
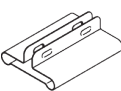
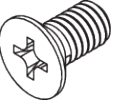

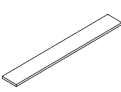
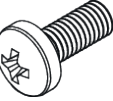

2C Roller cord SG 10869	Pockets between hooks	Approx. curtain fullness	Stack depth A	Stack size B	Min distance C
60	4	~2.1	100	260 per metre of track	70
60	5	~2.3	120	260 per metre of track	80



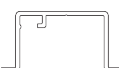
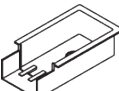
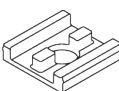

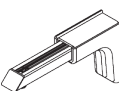
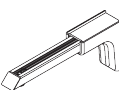
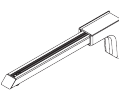
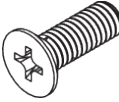
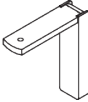
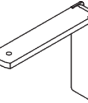
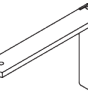
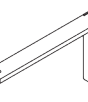
PARTS

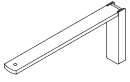
A. STANDARD PARTS

	SG 3004 Clamp
	SG 3581 Hook
	SG 10840 2C roller
	SG 10850 Profile
	SG 11235 End cover
	SG 11465 Spring stop

B. OPTIONAL PARTS

	SG 3012 Hook
	SG 3041 Bracket
	SG 3582 Hook
	SG 5118 Wedge
	SG 6105 Hanger with plate
	SG 6107 V-Hanger with plate
	SG 6349 Wave curtain tape
	SG 6363 Wave top hemming tape
	SG 7002 Profile protector
	SG 10074 Countersunk head screw M4x8
	SG 10075 Lead weight 50 g/m
	SG 10076 Fabric weight
	SG 10407 Pan head screw M4x10
	SG 10492 Pan head screw M4x8

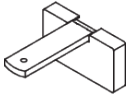
	SG 10831 Connection bridge
	SG 10852 Wave 2C roller cord 80 mm
	SG 10862 Recess profile
	SG 10864 Recess mask
	SG 10865 Support plate
	SG 10869 Wave 2C roller cord 60 mm
	SG 11154 Universal Smart Fix 120 mm
	SG 11155 Universal Smart Fix 150 mm
	SG 11156 Universal Smart Fix 200 mm
	SG 11158 Countersunk head screw M4x12
	SG 11200 Smart Fix 60 mm
	SG 11201 Smart Fix 80 mm
	SG 11202 Smart Fix 100 mm
	SG 11203 Smart Fix 120 mm



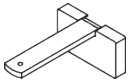
SG 11204
Smart Fix 150 mm



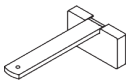
SG 11205
Smart Fix 200 mm



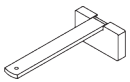
SG 11210
Square Smart Fix 60 mm



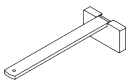
SG 11211
Square Smart Fix 80 mm



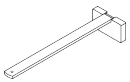
SG 11212
Square Smart Fix 100 mm



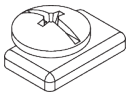
SG 11213
Square Smart Fix 120 mm



SG 11214
Square Smart Fix 150 mm



SG 11215
Square Smart Fix 200 mm



SG 11295
End stop
