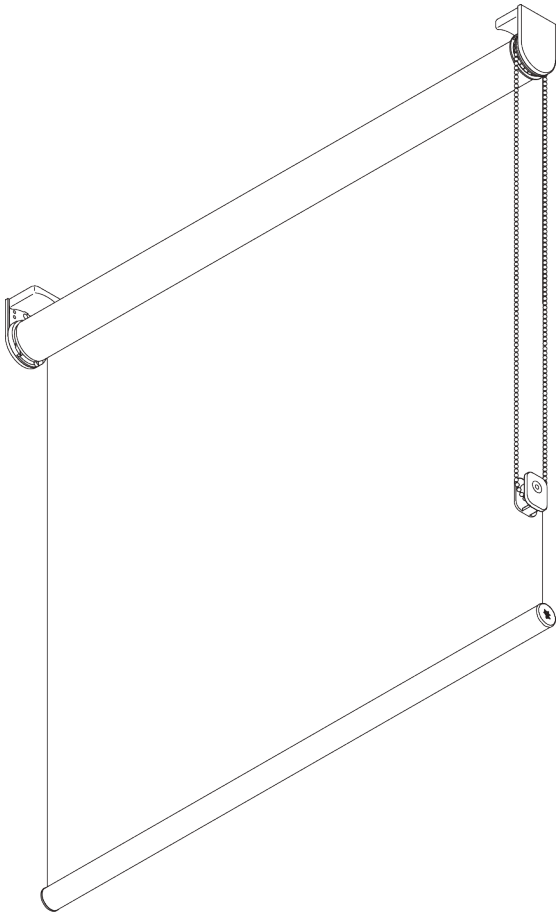


SG 4910



PRODUCT INFORMATION

- **Operation:** chain
- **Range:** S - M
- **Fitting:** ceiling, wall, recess
- **Colours:** white RAL 9016, grey RAL 7035, black RAL 9005; special colours possible
- **Fabrics:** refer to Silent Gliss fabric collection

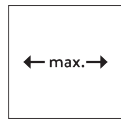
Features:

- Spring supported, effortless operation
- 1-to-1 gear drive
- Stainless steel bead chain
- Click-in brackets, Fascia, box, installation profile
- End stop controller

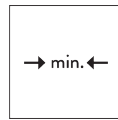
04/2026/V1

SYSTEM SPECIFICATIONS

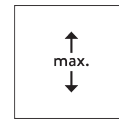
A. SYSTEM DIMENSIONS



2.4 m



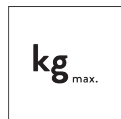
25 cm*,
Fascia / Box: 60 cm
*25 - 60 cm only with
installation profile
SG 10534



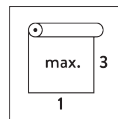
3 m



7.2 m²



3 kg



Recommended width /
height ratio
max. 1:3

Maximum system drop

Wall fitting (system drop on window side):

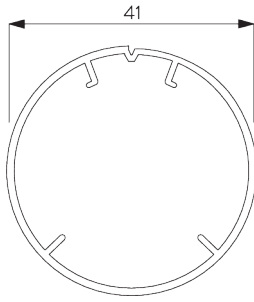
Fabric thickness	mm	0.15	0.20	0.25	0.30	0.35	0.40	0.45	0.50	0.55	0.60	0.65	0.70	0.75	0.80
Max. system drop	cm	300	300	300	300	300	300	300	300	300	290	270	250	230	220

Ceiling fitting / wall fitting (system drop on room side):

Fabric thickness	mm	0.15	0.20	0.25	0.30	0.35	0.40	0.45	0.50	0.55	0.60	0.65	0.70	0.75	0.80
Max. system drop	cm	300	300	300	300	300	300	300	300	300	300	300	300	300	280

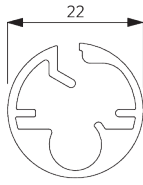
B. PROFILE

Profile information



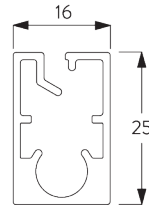
SG 10531

Tube \varnothing 41 mm



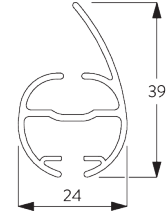
SG 10760

Bottom bar



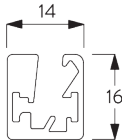
SG 10770

Bottom bar



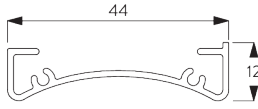
SG 4903

Bottom bar



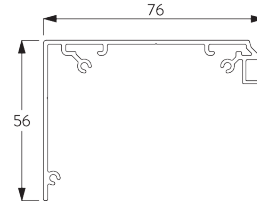
SG 11442

Bottom bar



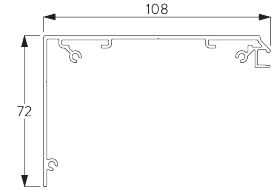
SG 10534

Installation profile



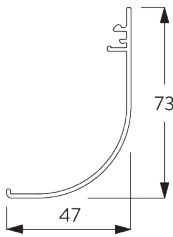
SG 11430

Installation profile fascia 73 mm



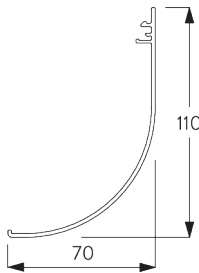
SG 11530

Installation profile fascia 110 mm



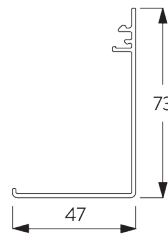
SG 11431

Fascia round 73 mm



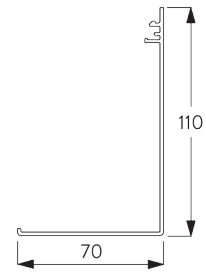
SG 11531

Fascia round 110 mm



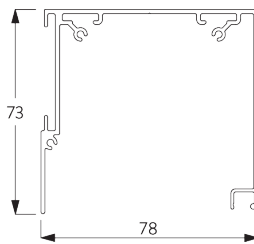
SG 11432

Fascia square 73 mm



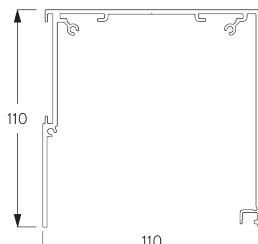
SG 11532

Fascia square 110 mm



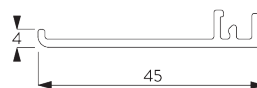
SG 11433

Box case 73 mm



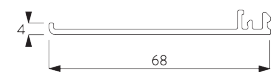
SG 11533

Box case 110 mm



SG 11434

Box cover

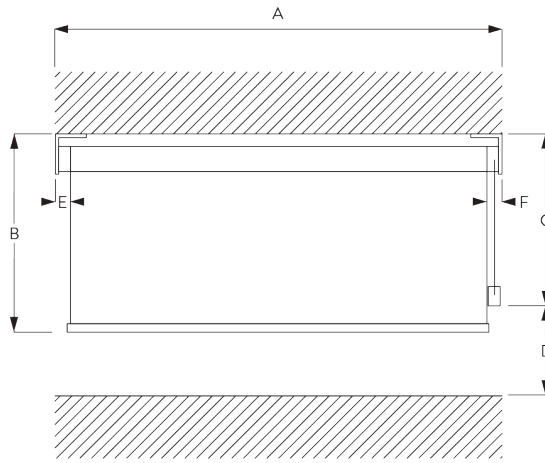


SG 11534

Box cover 110 mm

**C. HOW TO
MEASURE**

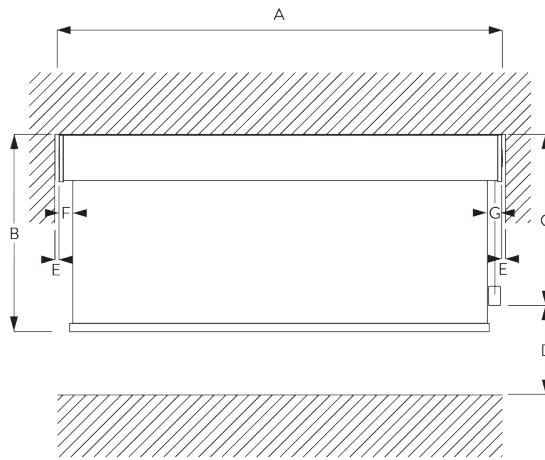
incl. bracket covers



- A: System width
- B: System height
- C: Chain height
- D: Safety Retainer SG 10731 min. 150 cm above floor
- E: Light gap: 13 mm
- F: Light gap operation side: 18 mm

Note:
All measurements include 2 mm for bracket cover per side!

Fascia / Box



- A: System width
- B: System height
- C: Chain height
- D: Safety Retainer SG 10731 min. 150 cm above floor
- E: Gap: min. 10 mm (when cover is used)
- F: Light gap: 15 mm
- G: Light gap operation side: 21 mm

D. SPECIFICATION

TEXT

EN

Silent Gliss SG 4910 Chain Operated Roller Blind System. Roller blind system for blind applications up to 2.4 m wide. Supplied made to measure and complete comprising anodised aluminium barrel SG 10531 with counterbalancing spring and gear set ensuring light, precise movement. Fixed to wall / ceiling/inside recess with brackets SG 10542 / SG 10543 and bracket covers SG 10574 / SG 10575. Optional installation profile SG 10534. Assembled with powder coated white, alu or black finish aluminium bottom weight bar SG 4221/10633/10634. Optional adjustable end stop SG 10559 / SG 10560 allows upper or lower stop limit setting. Compliant to Child Safety legislation EN 13120. Fabric to be chosen from the Silent Gliss fabric range, Price Group 1-4.

SV

Silent Gliss SG 4910 kedjemanövrerat rullgardinsystem. Rullgardinsystem för installationer upp till 2.4 m bredd. Levereras komplett i specificerat mått innefattande anodiserat rör SG 10531, 41 mm, med avancerad lyftfjäder och utväxling för att garantera lätt och steglös upp- och nerrullning. Vägg/tak och nischmontering med fästen SG 10542 / SG 10543 samt täckplattor SG 10574 / SG 10575. Alternativt med installationsprofil SG 10534. Monterad tyngdprofil i pulverlackerad aluminium i finish vitt/alu/svart med SG 4221/10633/10634). Som tillbehör justerbart ändstopp SG 10559 / SG 10560 som tillåter en övre eller nedre exakt stopposition. Uppfyller barnsäkerhetsnormen EN 13120. Textil från Silent Gliss textilprogram i prisgrupp 1-4.

NO

Silent Gliss SG 4910 Kjedefbetjent rullegardinsystem. Rullegardinsystem for maks. bredde på 2,4 meter. Leveres komplett på spesialmål med anodisert rør integrert, SG10531,41mm, med en avansert integrert motvektsfjær og et girsett for å garantere lett og presis bevegelse ved opp- og nedrulling. Tak-,vegg- og nisjemontering med feste SG10542 /SG10543 og deksel SG10574 / SG10575. Tilvalg med monteringsprofil SG 10534. Montert tyngdeprofil i pulverlakkert aluminium i hvit/alu/svart med SG 4221/10633/10634. Endestopp SG 10559 /SG10560 er tilbehør som kan sette en eksakt posisjon oppe og nede. Oppfyller barnesikkerhetsnormen EN13120. Tekstil fra Silent Gliss kolleksjon i prisgruppe 1-4.

DA

Silent Gliss SG 4910 gardinskinnesystem med kædestyring. Rullegardinsystemer til installationer med op til 2,4 m i bredden. Leveres samlet i ønsket længde, bestående af anodiseret aluminiumrør SG 10531 med modbalancerende sæt af fjeder og hjul, der sørger for lette, præcise bevægelser. Fastgøres i væggen / loftet / indfældes med beslagene SG 10542 / SG 10543 og beslagafdækningerne SG 10574 / SG 10575. Alternativt med installationsprofil SG 10534. Samlet med pulverlakeret hvid, aluminium eller sort finish tyngdeprofil af aluminium SG 4221/10633/10634. Valgfrit justerbart endestop SG 10559 / SG 10560 gør det muligt at indstille en øvre eller nedre stopgrænse. Overholder lovgivning om børnesikkerhed efter EN 13120. Stoffet vælges fra Silent Gliss stofprogrammet, prisgruppe 1-4

FITTING

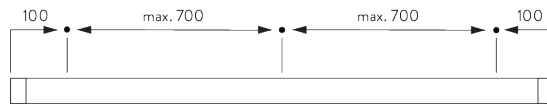
A. FITTING INFORMATION

Fixing points

For detailed fitting information, visit the Silent Gliss website.

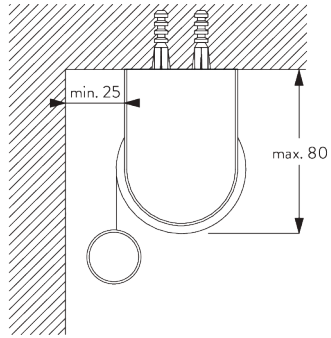


Brackets (wall / ceiling)

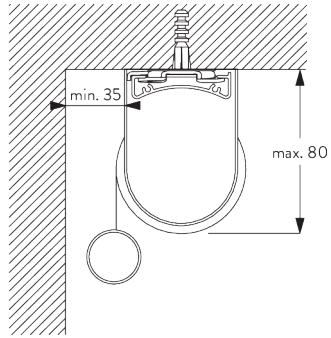


Fascia / box & installation profile SG 10534 (wall / ceiling)

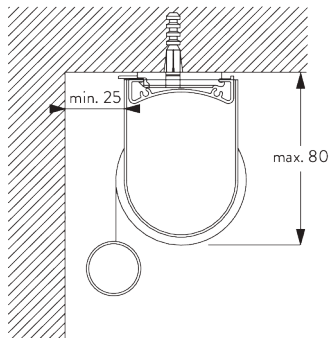
B. CEILING FITTING



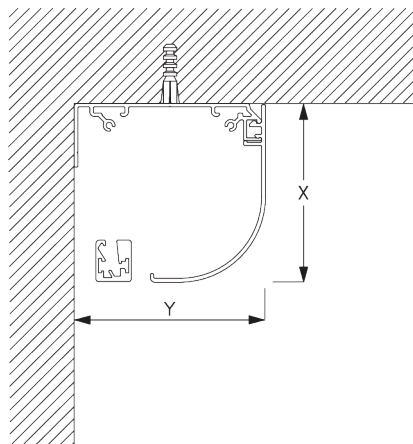
Brackets



Installation profile SG 10534 and clamps SG 3033 or SG 3044



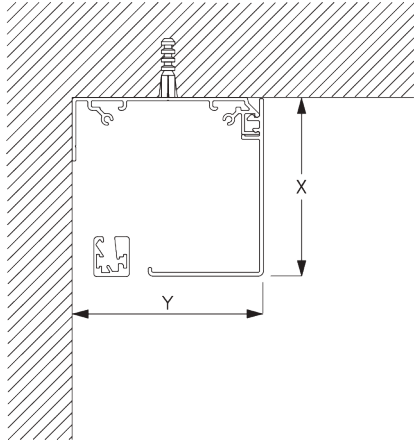
Installation profile SG 10534 and click bracket SG 10539



Fascia round

X = Fascia S 73 mm / Fascia L 110 mm

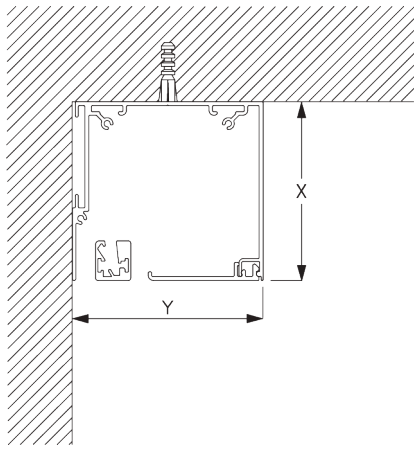
Y = Fascia S 78 mm / Fascia L 110 mm



Fascia square

X = Fascia S 73 mm / Fascia L 110 mm

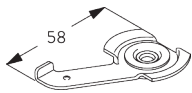
Y = Fascia S 78 mm / Fascia L 110 mm



Box

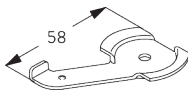
X = Box S 73 mm / Box L 110 mm

Y = Box S 78 mm / Box L 110 mm



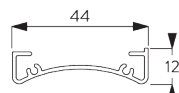
SG 3033

Clamp



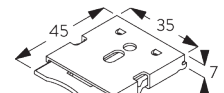
SG 3044

Clamp



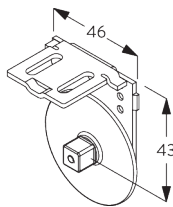
SG 10534

Installation profile



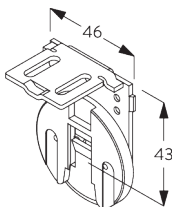
SG 10539

Bracket



SG 10542

Bracket



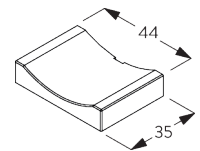
SG 10543

Bracket



SG 10574

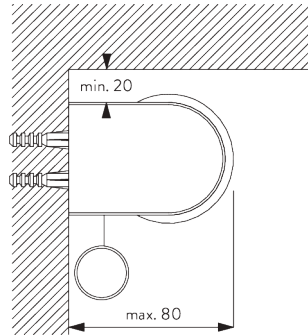
Bracket cover



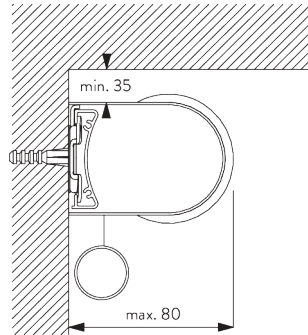
SG 10575

Bracket cover

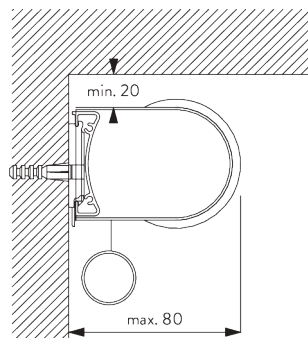
C. WALL FITTING



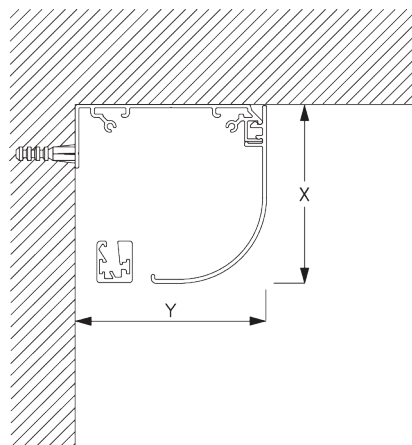
Brackets



Installation profile SG 10534 and clamps SG 3033 or SG 3044



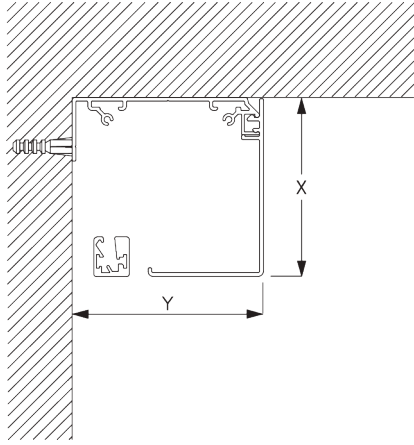
Installation profile SG 10534 and click bracket SG 10539



Fascia round

X = Fascia S 73 mm / Fascia L 110 mm

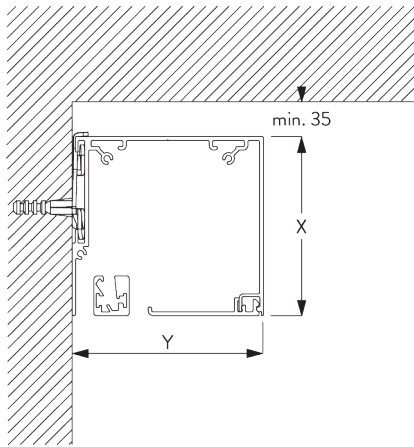
Y = Fascia S 78 mm / Fascia L 110 mm



Fascia square

X = Fascia S 73 mm / Fascia L 110 mm

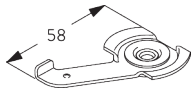
Y = Fascia S 78 mm / Fascia L 110 mm



Box S and clamp SG 3044 / Box L and clamp SG 11180

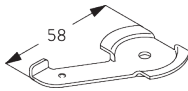
X = Box S 73 mm / Box L 110 mm

Y = Box S 78 mm / Box L 110 mm



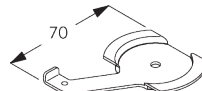
SG 3033

Clamp



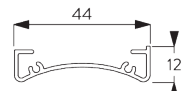
SG 3044

Clamp



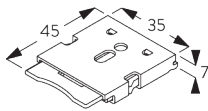
SG 11180

Clamp



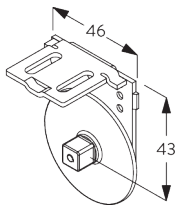
SG 10534

Installation profile



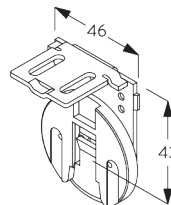
SG 10539

Bracket



SG 10542

Bracket



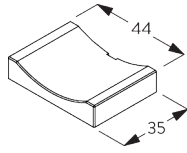
SG 10543

Bracket



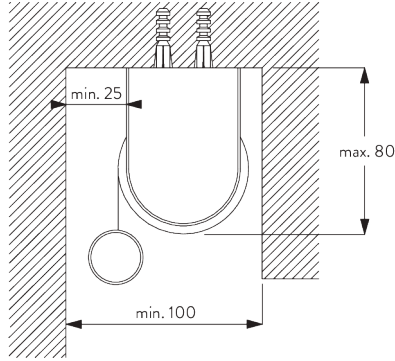
SG 10574

Bracket cover

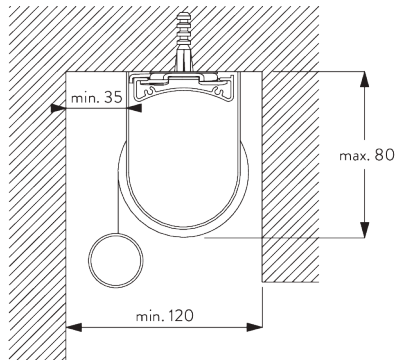


SG 10575
Bracket cover

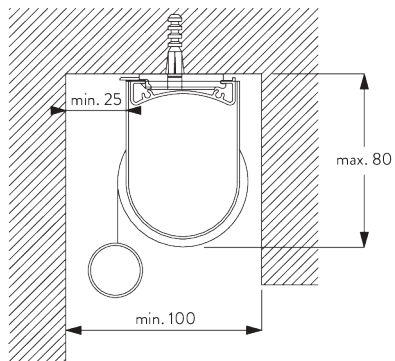
D. RECESS FITTING



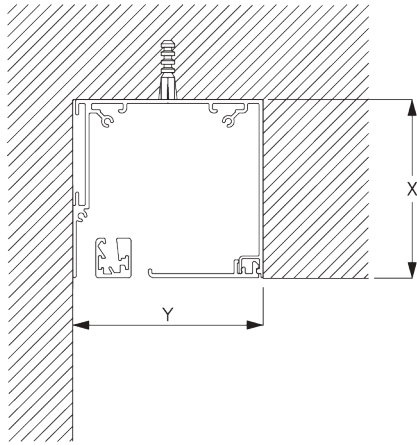
Brackets



Installation profile SG 10534 and clamps SG 3033 or SG 3044



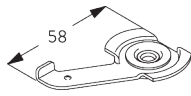
Installation profile SG 10534 and click bracket SG 10539



Box

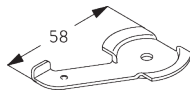
X = Box S 73 mm / Box L 110 mm

Y = Box S min. 79 mm / Box L min. 111 mm



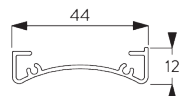
SG 3033

Clamp



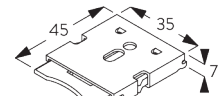
SG 3044

Clamp



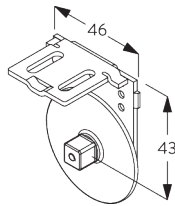
SG 10534

Installation profile



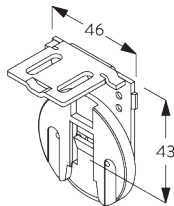
SG 10539

Bracket



SG 10542

Bracket



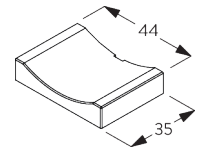
SG 10543

Bracket



SG 10574

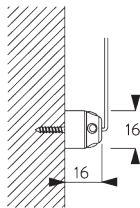
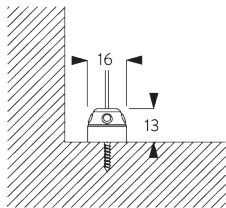
Bracket cover



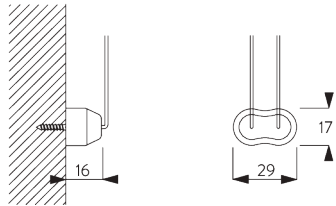
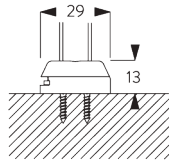
SG 10575

Bracket cover

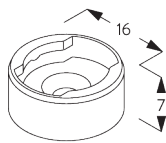
**E. FITTING WITH
SIDE GUIDE
OPTION**



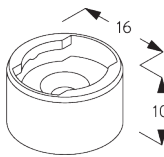
Single system



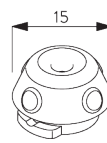
Double system (side-by-side installation)



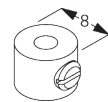
SG 8235
Side guide wire base short



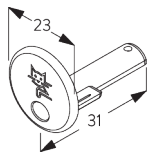
SG 8236
Side guide wire base long



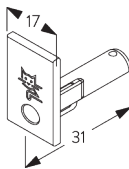
SG 8237
Side guide wire holder



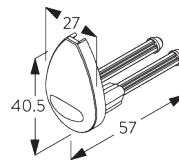
SG 8249
Side guide device



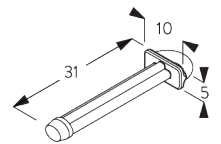
SG 10762
Side guide end cover



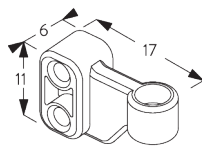
SG 10772
Side guide end cover



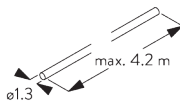
SG 4944
Side guide end cover



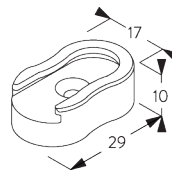
SG 10641
Side guide eyelet



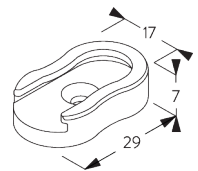
SG 10642
Side guide wire holder



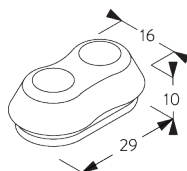
SG 10643
Side guide wire ø 1.3 mm x 4.2 m



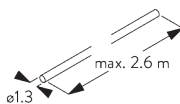
SG 10669
Side guide double base long



SG 10673
Side guide double base short



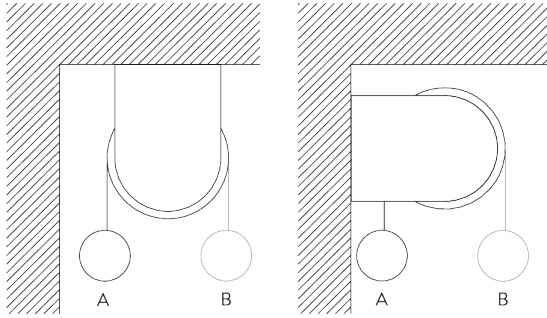
SG 10701
Side guide double wire holder



SG 10706
Side guide wire ø 1.3 mm x 2.6 m

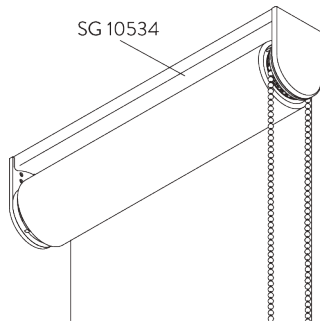
SYSTEM OPTIONS

A. FABRIC ROLL-OFF

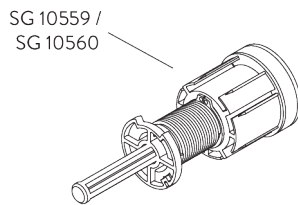


A: Fabric roll-off window side (standard)
B: Fabric roll-off room side (option)

B. INSTALLATION PROFILE

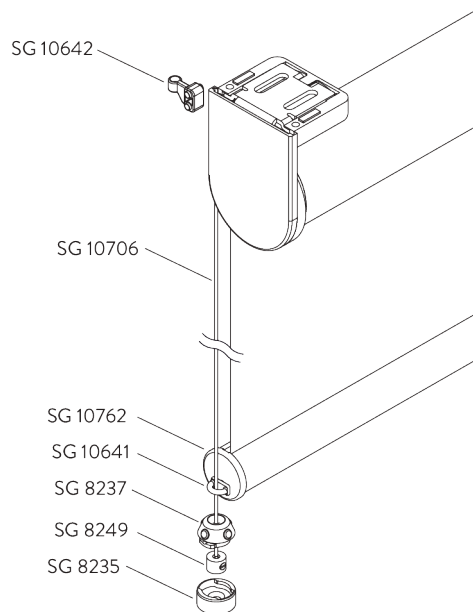


C. ADJUSTABLE END STOP



Setting of upper or lower end position.

D. SIDE GUIDES



Additional parts:

- 2x SG 8235 Side guide wire base short
- 2x SG 8237 Side guide wire holder
- 2x SG 8249 Side guide device
- 2x SG 10762 Side guide end cover round
- 2x SG 10641 Side guide eyelet
- 2x SG 10642 Side guide wire holder
- 2x SG 10706 Side guide wire \varnothing 1.3 mm x 2.6 m

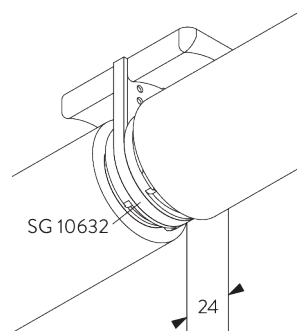
Optional parts:

- 2x SG 8236 Side guide wire base long
- 2x SG 10772 Side guide end cover square
- 2x SG 10643 Side guide wire \varnothing 1.3 mm x 4.2 m
- 1x SG 10669 Side guide double base long
- 1x SG 10673 Side guide double base short
- 1x SG 10701 Side guide double wire holder

Note:

- Light gaps increase when side-guide option is used
- Up to 15° from vertical

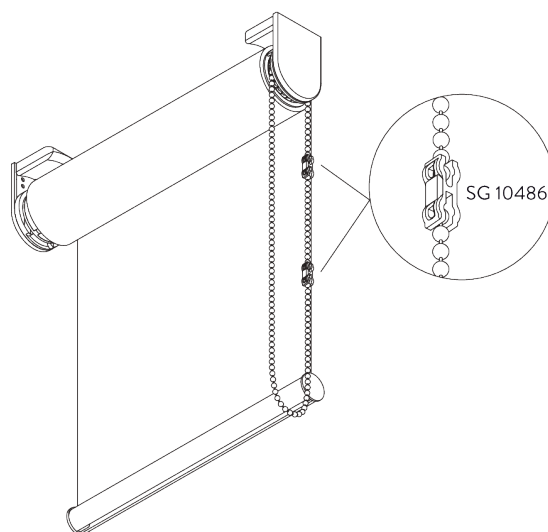
E. TWO SINGLE SYSTEMS SIDE-BY-SIDE



Additional parts:

- 1x SG 10632 Connection bracket cover

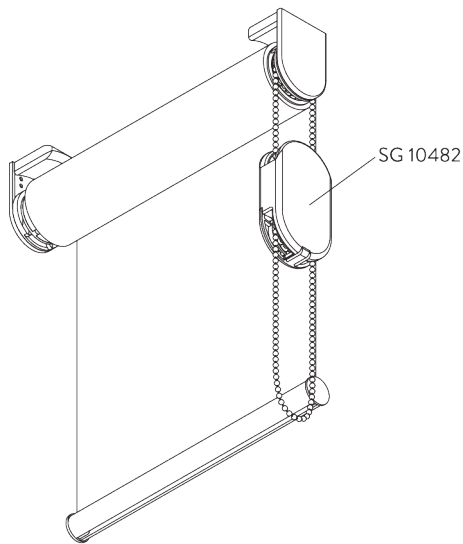
F. CHILD SAFETY



The chain break connector SG 10486 releases the chain should the pulling force exceed 6 kg.

Note:

- System to be installed so chain loop ends at least 60 cm above floor.

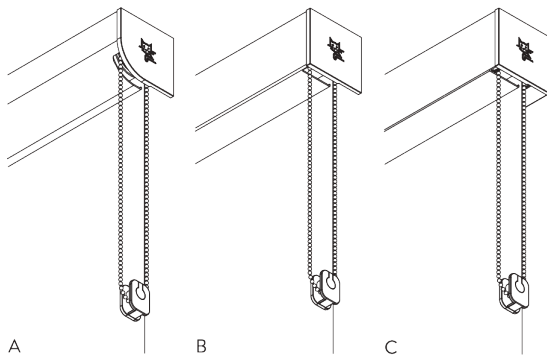


The child safety device SG 10482 releases the chain should the pulling force exceed 6 kg.

Note:

- System to be installed so chain loop of child safety device ends at least 60 cm above floor.

G. FASCIA / BOX



- A: Fascia round
- B: Fascia square
- C: Box

Size:

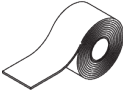





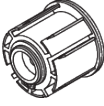

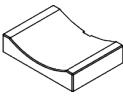
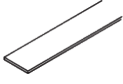



- S: 78 x 73 mm
- L: 110 x 110 mm

Note:





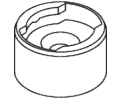
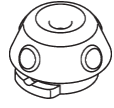
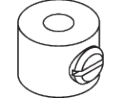
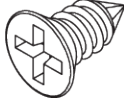
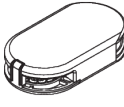
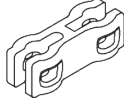


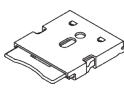

- Only applicable with bottom bar SG 11442

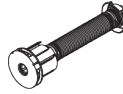
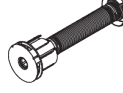
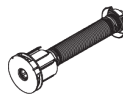
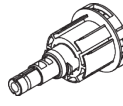
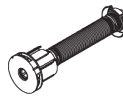
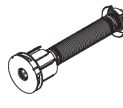
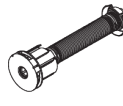
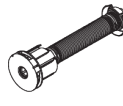
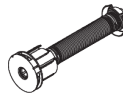
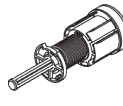
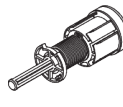

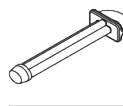
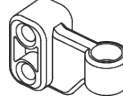
PARTS

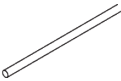



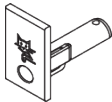
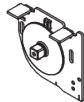



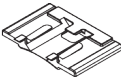

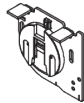

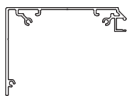



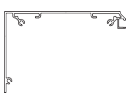



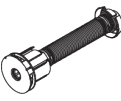
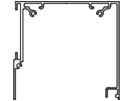



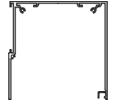
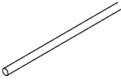


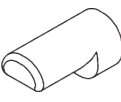


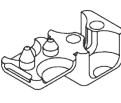




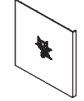
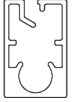


A. STANDARD PARTS

	SG 4226 Double tape 30 mm
	SG 10530 Bead chain metal ø 4 mm
	SG 10531 Tube ø 41 mm
	SG 10542 Bracket
	SG 10543 Bracket
	SG 10547 Spring C left, 641 mm
	SG 10556 Tube adapter
	SG 10574 Bracket cover
	SG 10575 Bracket cover
	SG 10668 PVC strip 10 mm
	SG 10731 Child safety retainer set
	SG 10760 Bottom bar
	SG 10761 End cover

B. OPTIONAL PARTS

	SG 3033 Clamp
	SG 3044 Clamp
	SG 4903 Bottom bar
	SG 8235 Side guide wire base short
	SG 8236 Side guide wire base long
	SG 8237 Side guide wire holder
	SG 8249 Side guide device
	SG 10139 Countersunk screw 2.9x6.5
	SG 10482 Child safety device set metal chain ø 4.0 mm
	SG 10486 Child safety chain break connector set
	SG 10498 Countersunk screw 2.9x9.5
	SG 10534 Installation profile
	SG 10539 Bracket
	SG 10545 Spring A left, 420 mm

	SG 10546 Spring B left, 487 mm
	SG 10548 Spring D left, 721 mm
	SG 10549 Spring E left, 824 mm
	SG 10550 Chain drive
	SG 10551 Spring A right, 420 mm
	SG 10552 Spring B right, 487 mm
	SG 10553 Spring C right, 641 mm
	SG 10554 Spring D right, 721 mm
	SG 10555 Spring E right, 824 mm
	SG 10559 End stop left threads
	SG 10560 End stop right threads
	SG 10632 Connection bracket cover
	SG 10641 Side guide eyelet
	SG 10642 Side guide wire holder

	SG 10643 Side guide wire \varnothing 1.3 mm x 4.2 m		SG 10771 End cover		SG 11443 End cover
	SG 10669 Side guide double base long		SG 10772 Side guide end cover		SG 11446 Bracket left 73 mm
	SG 10673 Side guide double base short		SG 11178 End cover		SG 11447 Bracket right 73 mm
	SG 10690 Spacer		SG 11180 Clamp		SG 11448 Bracket left 73 mm
	SG 10697 Spring F left, 921 mm		SG 11430 Installation profile fascia 73 mm		SG 11449 Bracket right 73 mm
	SG 10698 Spring G left, 921 mm		SG 11431 Fascia round 73 mm		SG 11530 Installation profile fascia 110 mm
	SG 10699 Spring F right, 921 mm		SG 11432 Fascia square 73 mm		SG 11531 Fascia round 110 mm
	SG 10700 Spring G right, 921 mm		SG 11433 Box case 73 mm		SG 11532 Fascia square 110 mm
	SG 10701 Side guide double wire holder		SG 11434 Box cover		SG 11533 Box case 110 mm
	SG 10706 Side guide wire \varnothing 1.3 mm x 2.6 m		SG 11437 Bracket cover round left 73 mm		SG 11534 Box cover 110 mm
	SG 10707 End stop		SG 11438 Bracket cover round right 73 mm		SG 11537 Bracket cover round left 110 mm
	SG 10709 Chain stop for \varnothing 4 mm chain		SG 11439 Bracket cover square left 73 mm		SG 11538 Bracket cover round right 110 mm
	SG 10762 Side guide end cover		SG 11440 Bracket cover square right 73 mm		SG 11539 Bracket cover square left 110 mm
	SG 10770 Bottom bar		SG 11442 Bottom bar		SG 11540 Bracket cover square right 110 mm



SG 11546
Bracket left 110 mm



SG 11547
Bracket right 110 mm



SG 11548
Bracket left 110 mm



SG 11549
Bracket right 110 mm
