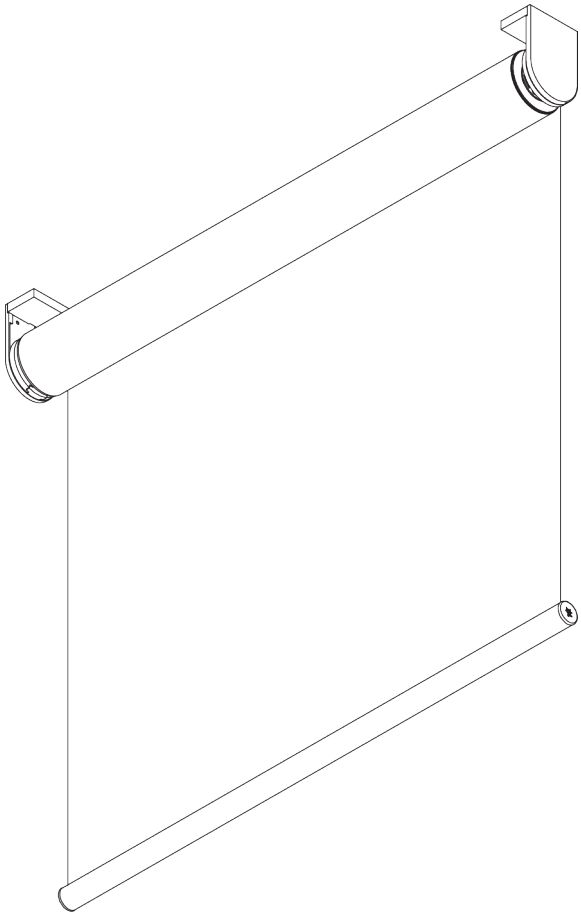


SG 4970



PRODUCT INFORMATION

- **Operation:** motorised
- **Range:** M - L
- **Fitting:** ceiling, wall, recess
- **Colours:** white RAL 9016, grey RAL 7035, black RAL 9005, special colours possible
- **Fabrics:** refer to Silent Gliss fabric collection

Features:

- Quiet and fast motors
- Soft stop
- Various control options
- Two connected systems
- Click-in brackets, fascia, box, installation profile

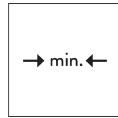
04/2024/V3

SYSTEM SPECIFICATIONS

A. SYSTEM DIMENSIONS



Single system: 3.4 m
Double system: 6.8 m



65 cm*
*see motor specification
table



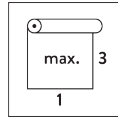
5 m



Single system: 17 m²
Double system: 34 m²



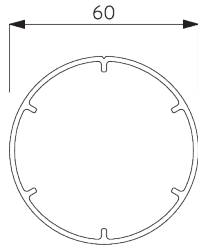
10 kg



Recommended width /
height ratio
max. 1:3

B. PROFILE

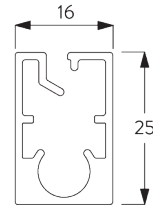
Profile information



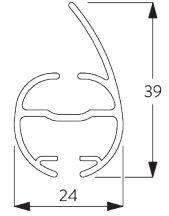
SG 11037
Tube ø 60 mm



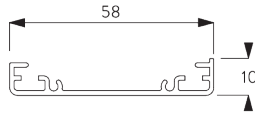
SG 10760
Bottom bar



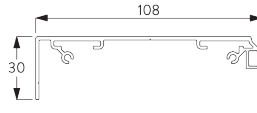
SG 10770
Bottom bar



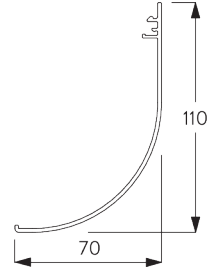
SG 4903
Bottom bar



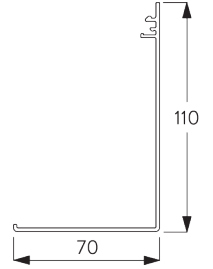
SG 11181
Installation profile



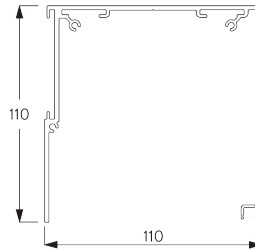
SG 11530
Installation profile fascia 110 mm



SG 11531
Fascia round 110 mm



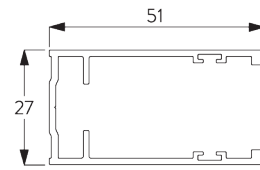
SG 11532
Fascia square 110 mm



SG 11533
Box case 110 mm



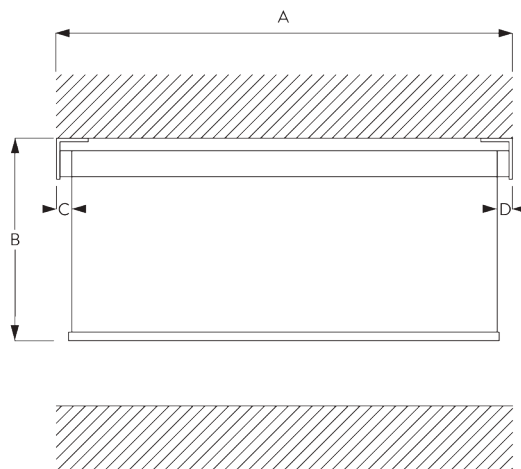
SG 11534
Box cover 110 mm



SG 11542
Side guide channel

C. HOW TO MEASURE

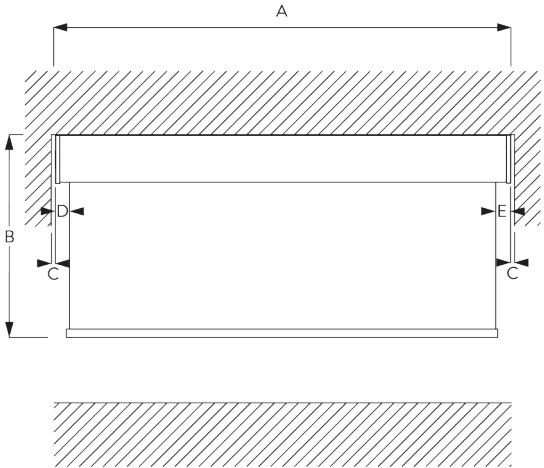
incl. bracket covers



A: System width
B: System height
C: Light gap: 18 mm
D: Light gap operation side: 25 mm

Note:
Different light gaps see motor specifications.
All measurements include 2 mm for bracket cover per side!

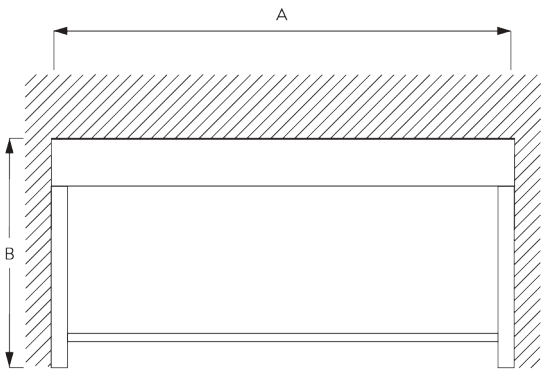
Fascia / Box



- A: System width
- B: System height
- C: Gap: min. 10 mm (when cover is used)*
- D: Light gap: 20 mm
- E: Light gap operation side: 27 mm

Note:
 Different light gaps see motor specifications.
 *Possible to make Fascia wider than system to reduce gap between wall and system.

Fascia / Box with Side Profiles SG 11542



- A: System width
- B: System height

D. SPECIFICATION

TEXT

EN

Silent Gliss SG 4970 Electrically Operated Roller Blind System. Roller blind system for applications up to 3.4m wide. Supplied made to measure and complete comprising anodised aluminium barrel SG 11037, 60 mm. Fixed to wall / ceiling / inside recess with brackets SG 11172 / 75 / 77 and bracket covers SG 11173 / SG 11174. Brackets and hardware in white / grey / black finish. Assembled with powder coated white/ grey / black aluminium bottom weight bar SG 4903 / SG 10993 as standard. Optional installation profile SG 11181 for easy installation with clamps SG 11180. Optional side guide wires. Connected system through fitting SG 11183. Integral 230V motor SG 10520 / SG 10522 left / right side. Operation by mains switch (not supplied), by remote control or mains switching by third party control system. All wiring to be strictly in accordance with Silent Gliss wiring diagrams. Fabric to be chosen from the Silent Gliss fabric range, Price Group 1-4.

SV

Silent Gliss SG 4970 rullgardinsystem med motor. Rullgardinsystem för installationer upp till 3,4 m bredd. Levereras komplett i specificerat mått innefattande anodiserat rör SG 11037, 60 mm. Vägg / tak och nischmontering med fästen SG 11172 / 75 / 77 samt täckplattor SG 11173 / SG 11174 i vitt / grått eller svart. Alternativt med installationsprofil SG 11181 som monteras med fästen SG 11180. Sidewire som tillbehör. Dubbelsystem med kopplingsbeslag SG 11183. Monterad pulverlackerad tyngdprofil i aluminium i finish vitt / grått / svart med SG 4903 / SG 10993. Integrerad 230V motor SG 10520 / SG 10522 vänster / höger sida. Styrning via väggkontakt (ej inkluderad), via fjärrkontroll eller via externt styrsystem. All elinstallation skall följa Silent Gliss kopplingsschema. Textil från Silent Gliss textilprogram i prisgrupp 1-4.

NO

Silent Gliss SG 4970 rullegardinsystem med motor. Rullegardinsystem for maks. bredde på 3,4 meter. Leveres komplett på spesialmåll med anodisert rør integrert, SG 11037, 60 mm. Tak-, vegg- og nisjemontering med feste SG 11172 / 75 / 75 samt dekkplate SG 11173 / SG 11174 i hvit, grå eller svart. Alternativt monteringsprofil SG 11181 som monteres med feste SG 11180. Sidewire som tilbehør. Koblingsbeslag SG 11183 for betjening av dobbelt system med kulekjede. Montert tyngdeprofil i pulverlakkert aluminium i hvit/alu/svart med SG 4903 / SG 10993. Integrert styring via veggkontroll eller vi eksternt styringssystem. Alle elektriske tilkoblinger skal utføres i.h.t. Silent Gliss koblingsskjema. Tekstil fra Silent Gliss kolleksjon i prisgruppe 1-4.

DA

Silent Gliss SG 4970 elektrisk rullegardinsystem. Rullegardinsystemer til installationer med op til 3,4 m bredde. Leveres i ønsket længde og samlet. Består af anodiseret aluminiumrør SG 11037, 60 mm. Fastgøres i væggen / loftet / indfældes med beslagene SG 11172 / 75 / 77 og beslagafdækningerne SG 11173 / SG 11174. Beslag og armaturer i hvid / grå / sort finish. Samlet med pulverlakeret hvid, aluminium eller sort finish tyngdeprofil SG 4903 / SG 10993 som standard. Alternativt med installationsprofil SG 11181 for nem installation med klemmerne SG 11180. Sidewirer som tilbehør. Tilsluttet system med fitting SG 11183. Integreret 230 V motor SG 10520 / SG 10522 venstre / højre side. Styres med lysnetkontakt (medfølger ikke), med fjernbetjening eller lysnetkontakt fra tredjepart system. Al ledningsføring skal udelukkende vælges i henhold til Silent Gliss ledningsdiagrammer. Stoffet vælges fra Silent Gliss stofprogrammet, prisgruppe 1-4.

FITTING

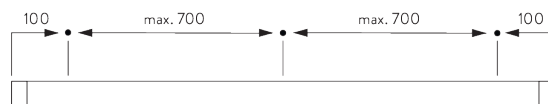
A. FITTING INFORMATION

Fixing points

For detailed fitting information, visit the Silent Gliss website.

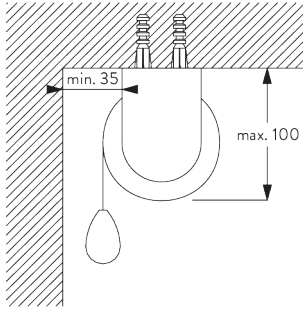


Brackets (wall / ceiling)

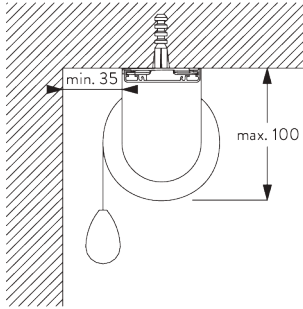


Fascia / box & installation profile SG 11181 (wall / ceiling)

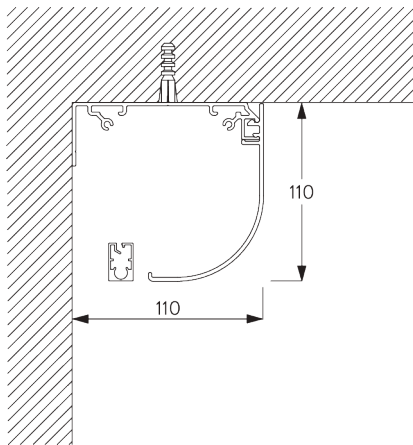
B. CEILING FITTING



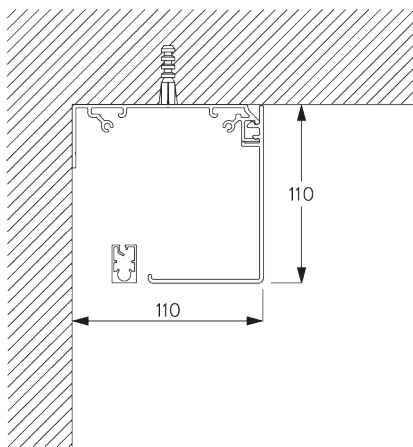
Brackets



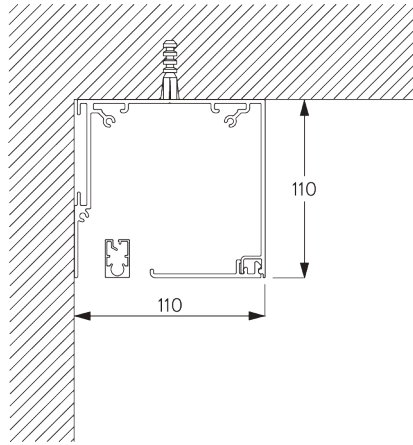
Installation profile SG 11181 and clamp SG 11180



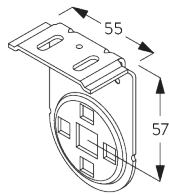
Fascia round



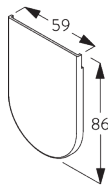
Fascia square



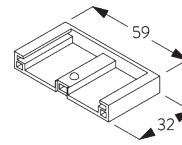
Box



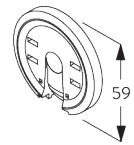
SG 11172
Bracket



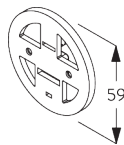
SG 11173
Bracket cover



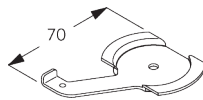
SG 11174
Bracket cover



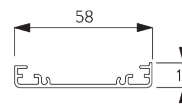
SG 11175
Click flange



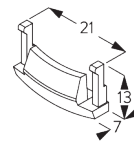
SG 11177
Motor support



SG 11180
Clamp

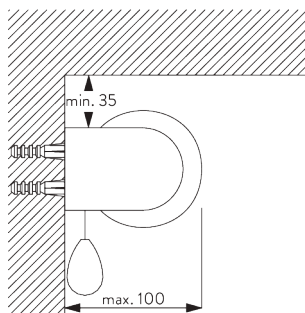


SG 11181
Installation profile

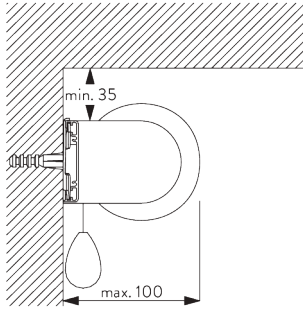


SG 11179
Cover

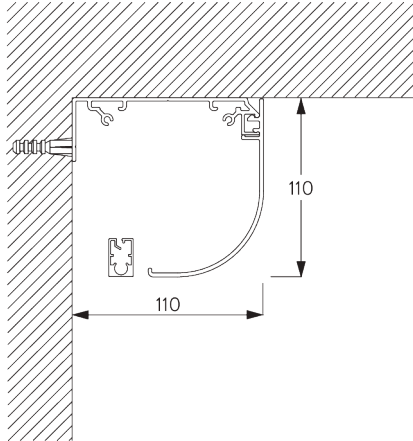
C. WALL FITTING



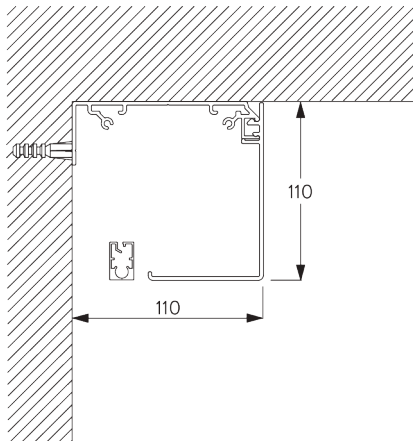
Brackets



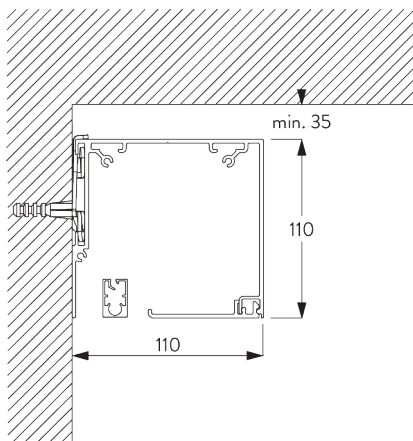
Installation profile SG 11181 and clamp SG 11180



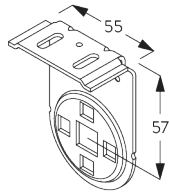
Fascia round



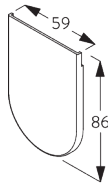
Fascia square



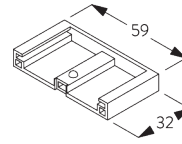
Box and clamp SG 11180



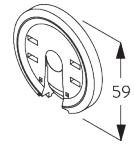
SG 11172
Bracket



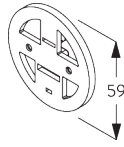
SG 11173
Bracket cover



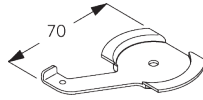
SG 11174
Bracket cover



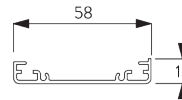
SG 11175
Click flange



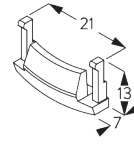
SG 11177
Motor support



SG 11180
Clamp

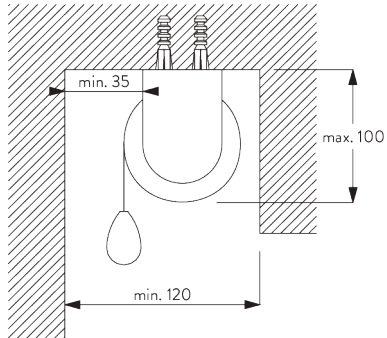


SG 11181
Installation profile

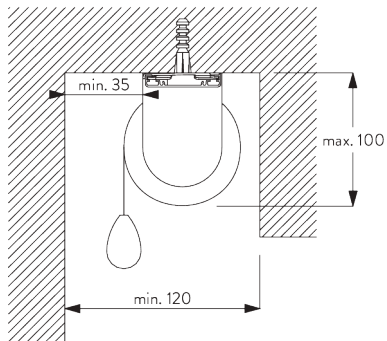


SG 11179
Cover

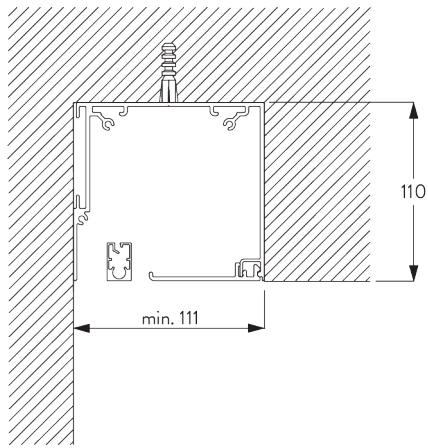
D. RECESS FITTING



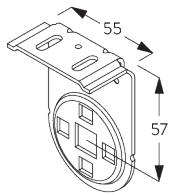
Brackets



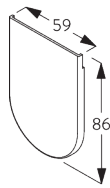
Installation profile SG 11181 and clamp SG 11180



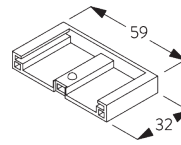
Box



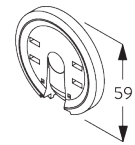
SG 11172
Bracket



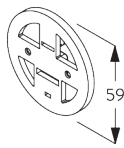
SG 11173
Bracket cover



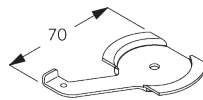
SG 11174
Bracket cover



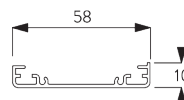
SG 11175
Click flange



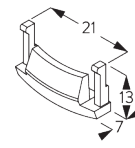
SG 11177
Motor support



SG 11180
Clamp

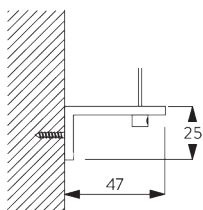


SG 11181
Installation profile

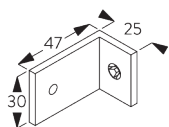


SG 11179
Cover

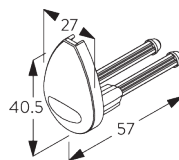
E. FITTING WITH SIDE GUIDE OPTION



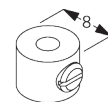
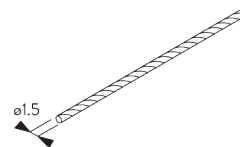
SG 3036
Bracket 47 mm



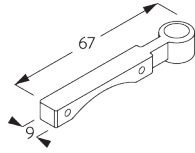
SG 4944
Side guide end cover



SG 4948
Side guide wire \varnothing 1.5 mm



SG 8249
Side guide device

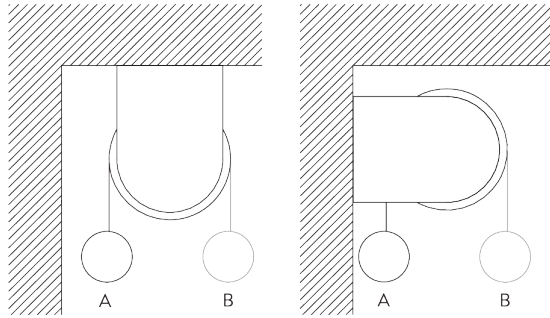


SG 11182

Side guide wire holder

SYSTEM OPTIONS

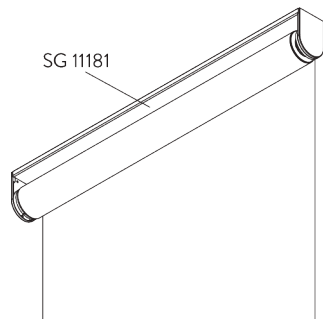
A. FABRIC ROLL-OFF



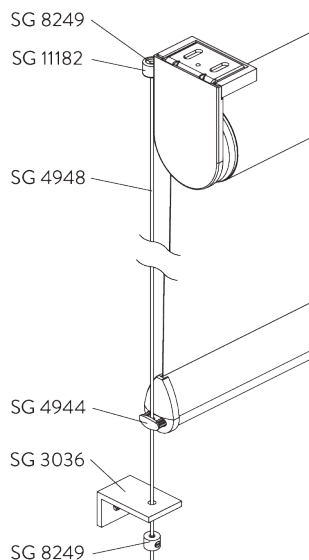
A: Fabric roll-off window side (standard)

B: Fabric roll-off room side (option)

B. INSTALLATION PROFILE



C. SIDE GUIDES



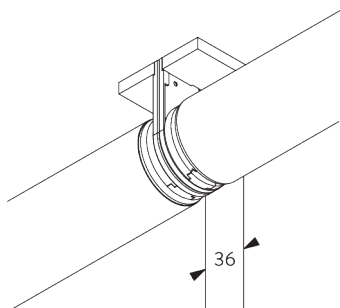
Additional parts:

- 2x SG 3036 Bracket
- 2x SG 4944 Side guide end cover
- 2x SG 4948 Side guide wire \varnothing 1.5 mm
- 4x SG 8249 Side guide device
- 2x SG 11182 Side guide wire holder

Note:

- Light gaps increase when side-guide option is used
- Up to 15° from vertical
- Only applicable with bottom bar SG 4903

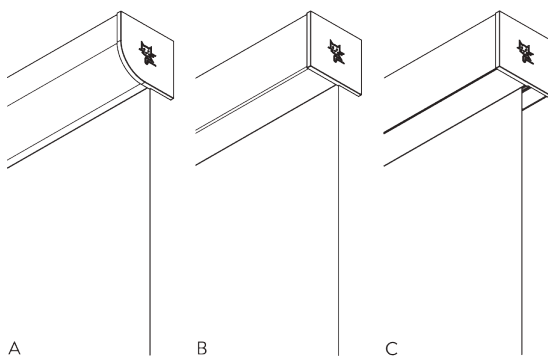
D. TWO CONNECTED SYSTEMS



Additional parts:

- 1x SG 11175 Click flange
- 1x SG 11183 Connecting bolt
- 2x SG 11184 Connection bracket cover
- 1x SG 11195 Connection tube adapter

E. FASCIA / BOX



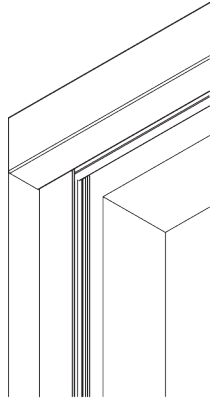
- A: Fascia round
- B: Fascia square
- C: Box

Size:

- 110 x 110 mm

Note:

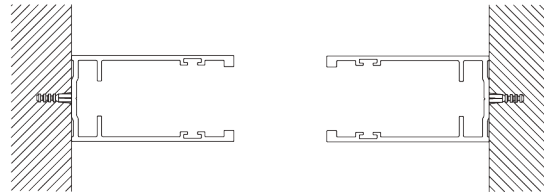
- Only applicable with bottom bar SG 10770
- Not possible with connected systems
- Two systems with one Fascia possible upon request



Optional side guide channels SG 11542 to be used with Fascia or Box.

Note:

- Only applicable with inside fitting
- Box: only recess fitting



MOTORS & CONTROLS

A. MOTOR FEATURES

Motors	50-Series	20-Series	20-Series	10-Series K	5-Series
	SG 11251	SG 10523	SG 10522	SG 10514	SG 10715

Motor Features					
Soft stop	•	•	•		
Electronic end-stop	•	•	•		
Electronic revolution counter (unlimited revolution)	•	•	•		
Mechanical end-stop				•	•
Mechanical revolution counter (limited revolution)				•	•
Two intermediate positions possible		•			
Bottom bar alignment	•				
Noiseless stop		•	•	•	
Parallel wiring possible without additional relays		•	•		
Disconnectable motor cable	•	•	•		
IP class	IP 30	IP 44	IP 44	IP 44	IP 44
Control Features					
Mains power control		•	•	•	•
SG Control L (built-in receiver)		•			
Smart by Silent Gliss	•				
Suitable for most major home automation systems (with suitable interface)		•	•	•	•

B. MOTOR SPECIFICATIONS

Motors	Light gaps* C / D = driving side	Min. system width	Voltage	Current	Frequency	Speed	Frequency receiver
50-Series (Smart by Silent Gliss)							
SG 11251	C: 18 mm / D: 26 mm	65 cm	24 V DC	1.5 A	-	32 rpm	-
20-Series							
SG 10522 (standard)	C: 18 mm / D: 25 mm	65 cm	230 V AC	0.55 A	50 Hz	30 rpm	-
SG 10523	C: 18 mm / D: 25 mm	65 cm	230 V AC	0.55 A	50 Hz	30 rpm	868/915 MHz
10-Series K							
SG 10514	C: 18 mm / D: 25 mm	53 cm	230 V AC	0.52 A	50 Hz	30 rpm	-
5-Series							
SG 10715	C: 18 mm / D: 25 mm	65 cm	230 V AC	0.485 A	50-60 Hz	28 rpm	-

*Light gaps Fascia or Box: C +3 mm / D +2 mm (20-Series: C +2 mm / D +2 mm)

C. OPERATING METHODS

See catalogue "controls" for details.

Wall Switch



System can be operated by fixed wall switch.

SG Control L



Various radio hand-held and wall transmitters available.



Silent Gliss Move App.

Smart by Silent Gliss



Open designed two-way communication system which allows to flawlessly integrate products with most major building management systems.

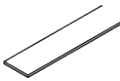
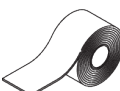
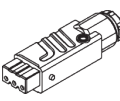




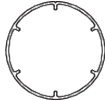
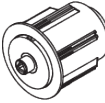


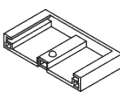


D. WIRING DIAGRAMS


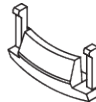
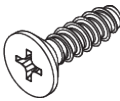



Refer to Silent Gliss website.

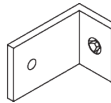
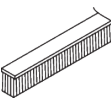

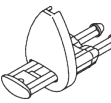


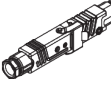
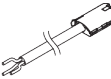



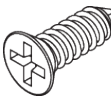


PARTS

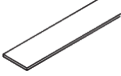
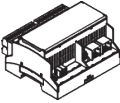


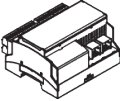

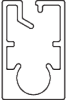
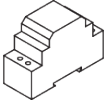


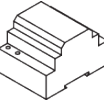
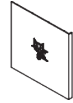

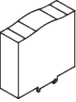



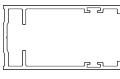

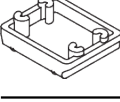




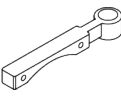

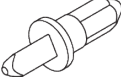



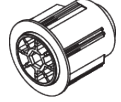



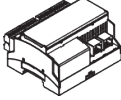

A. STANDARD PARTS

	SG 4223 PVC strip 14 mm
	SG 4226 Double tape 30 mm
	SG 9917 Hirschmann portable socket-outlet STAK 3 N
	SG 10284 O-Ring
	SG 10522 Motor 230V AC, 20-Series S 3/30
	SG 10760 Bottom bar
	SG 10761 End cover
	SG 11037 Tube ø 60 mm
	SG 11165 Tube adapter
	SG 11172 Bracket
	SG 11173 Bracket cover
	SG 11174 Bracket cover
	SG 11175 Click flange
	SG 11176 Tube adapter

	SG 11177 Motor support
	SG 11179 Cover
	SG 11323 PT Screw Countersunk KA35x12
	SG 11358 Motor drive 10/20-Series

B. OPTIONAL PARTS

	SG 3036 Bracket 47 mm
	SG 4508 Brush 5x7 mm
	SG 4903 Bottom bar
	SG 4944 Side guide end cover
	SG 4948 Side guide wire ø 1.5 mm
	SG 8249 Side guide device
	SG 9916 Hirschmann plug set
	SG 10293 Cable 230V AC, 2/3/5/10 m
	SG 10300 Radio hand held 1 channel
	SG 10302 Radio hand held 5+1 channel
	SG 10303 Radio hand held 10+2+1 channel
	SG 10498 Countersunk screw 2.9x9.5
	SG 10514 Tubular motor 230V AC, 10 Series S 3/30 K
	SG 10523 Motor 230V AC, 20-Series S 3/30, radio receiver

	SG 10668 PVC strip 10 mm		SG 11261 Gateway KNX		SG 11534 Box cover 110 mm
	SG 10715 Tubular motor 230V AC, 5 Series S 6/28		SG 11262 Expansion unit		SG 11537 Bracket cover round left 110 mm
	SG 10770 Bottom bar		SG 11263 Power supply 24V DC, 2 Ampere DIN Rail		SG 11538 Bracket cover round right 110 mm
	SG 10771 End cover		SG 11264 Power supply 24V DC, 3.8 Ampere DIN Rail		SG 11539 Bracket cover square left 110 mm
	SG 10804 Radio hand held 15+5+1 channel		SG 11265 Power supply 24V DC, 5 Ampere DIN Rail		SG 11540 Bracket cover square right 110 mm
	SG 11178 End cover		SG 11266 Power supply 24V DC, 10 Ampere DIN Rail		SG 11542 Side guide channel
	SG 11180 Clamp		SG 11311 Bracket spacer		SG 11544 Bracket left 110 mm
	SG 11181 Installation profile		SG 11460 Cover for Hirschmann plug		SG 11545 Bracket right 110 mm
	SG 11182 Side guide wire holder		SG 11480 Radio wall transmitter 1 channel		
	SG 11183 Connection bolt		SG 11490 Radio wall transmitter 5+1 channel		
	SG 11184 Connection bracket cover		SG 11530 Installation profile fascia 110 mm		
	SG 11195 Connection tube adapter		SG 11531 Fascia round 110 mm		
	SG 11251 Tubular motor 24V DC, 50-Series S 3/32		SG 11532 Fascia square 110 mm		
	SG 11260 Gateway Cedia		SG 11533 Box case 110 mm		